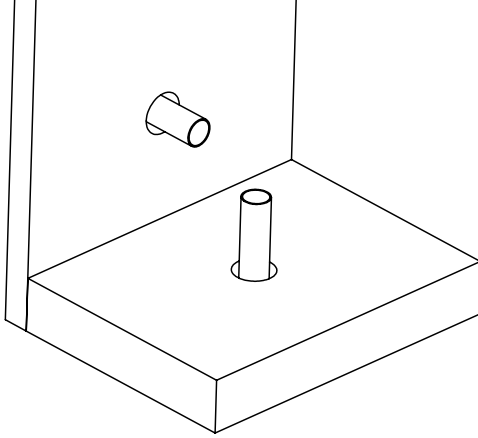


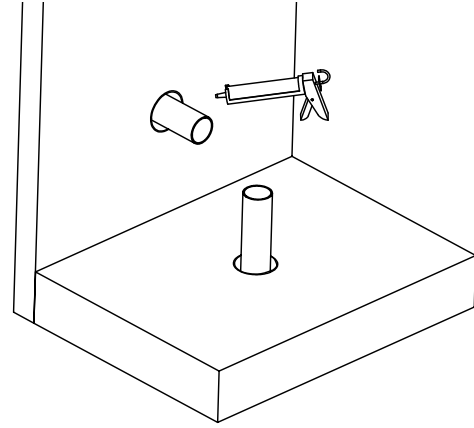
### Through Penetration Sealants WF300 Intumescent Firestop Caulk

1



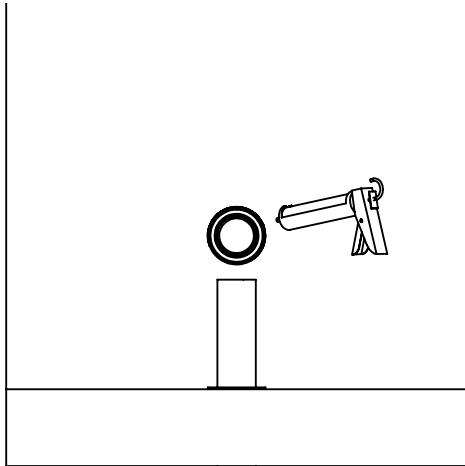
Areas to be protected must be clean and free of oil, loose dirt, rust or scale. Installation temperatures must be between 35°F to 100°F (2°C to 38°C). Allow product to dry a minimum of 24 hours before prior to exposure to moisture. Although not generally required, backing materials may be utilized to facilitate the installation of WF300 Caulk. In most wood frame construction applications, open or close cell polyethylene or polyurethane backer rod may be used.

2



Type WF300 Caulk may be installed by caulking using a standard caulking gun or from bulk containers using a bulk loading caulking gun, or by manually troweling using a mason's trowel or putty knife. If the sealant pulls back from surface, clean the surface with a damp rag or sponge and reapply. Surface of caulk can be smoothed using a putty knife dipped in water. Adding water to caulk itself is not recommended.

3



Type WF300 (when dry) may be sanded and painted using most non-solvent based paints. In gypsum board construction, overlapping onto gypsum board paper by a minimum 1/4" (6 mm) is recommended to assure adequate adhesion is maintained.

Note: Sealant (when dry) may be sanded and painted using most non-solvent based paints.

Note: For more information on firestop installation, refer to ASTM E3157.

