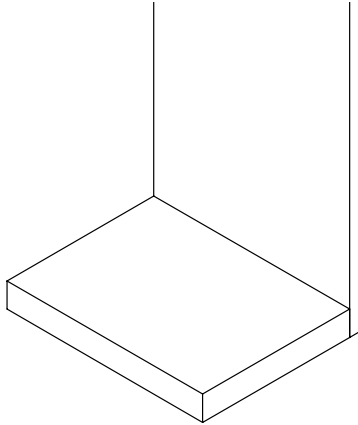


## Construction Joint Sealants

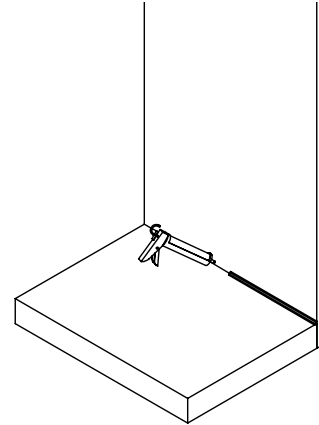
SpecSeal® Series ES Elastomeric Sealant, SpecSeal® Series LC Endothermic Firestop Sealant,  
SpecSeal® Series LCI Intumescent Sealant, SpecSeal® Series SIL Silicone Firestop Sealant

1



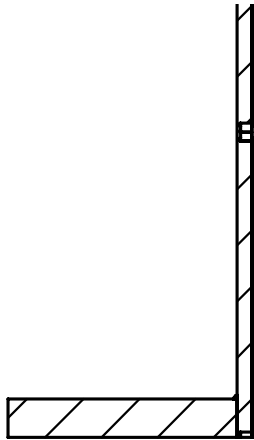
Areas to be protected must be clean and free of oil, loose dirt, rust or scale. Installation temperatures must be between 35°F (2°C) and 100°F (38°C). Allow product to dry a minimum of 24 hours before exposure to moisture. Consult appropriate manufacturer's drawing for system design requirements. Forming or packing materials are required as an integral part of various system designs.

2



Sealant may be installed by caulking using a standard caulking gun or from bulk containers using a bulk loading caulk gun, or by manually troweling using a mason's trowel or putty knife.

3



Install sealant to required depth. Work sealant into all areas exercising care to eliminate voids or seams. The surface of the sealant can be smoothed using a putty knife dipped in water. Adding water to the sealant itself is not recommended.

Note: Sealant (when dry) may be sanded and painted using most non-solvent based paints.

Note: For more information on firestop installation, refer to ASTM E3157.