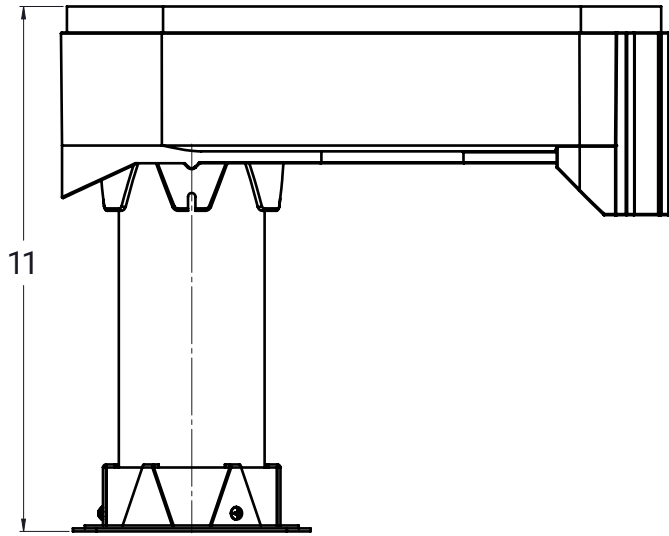
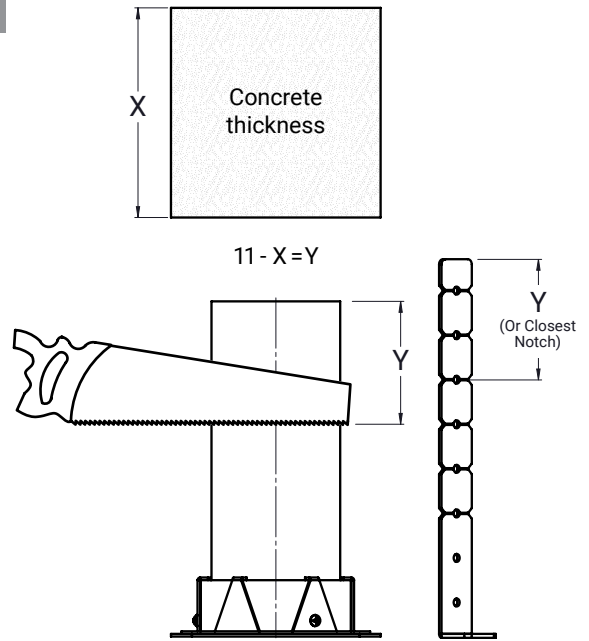


Cast-In Device Tub Box

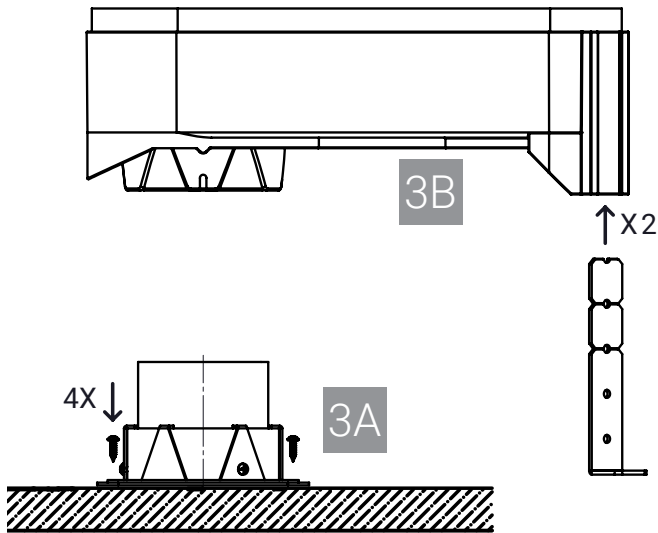
1



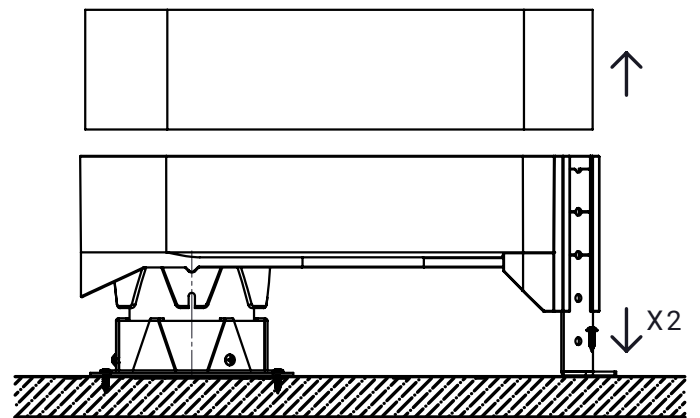
2



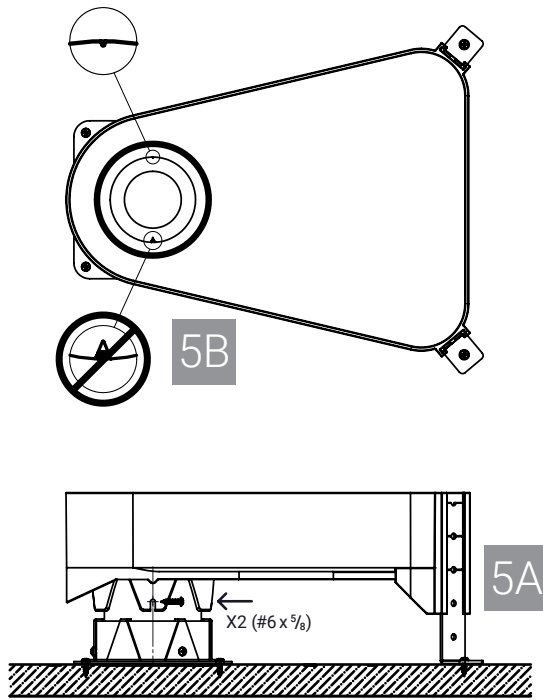
3



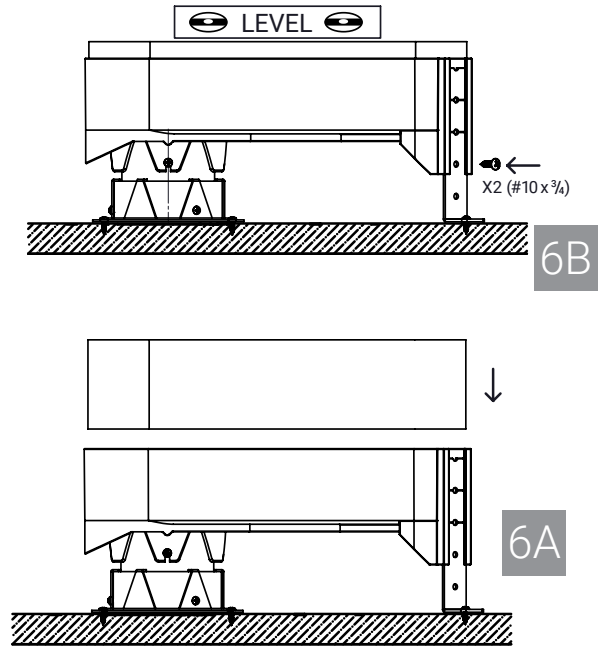
4



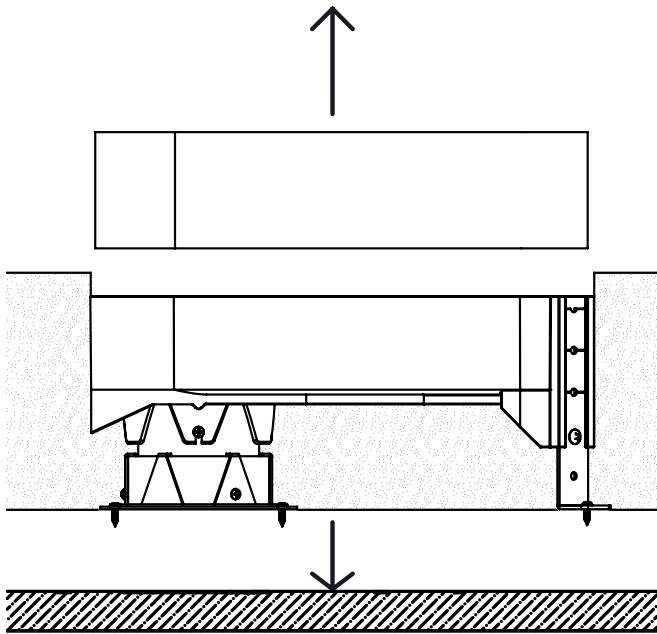
5



6



7



8

