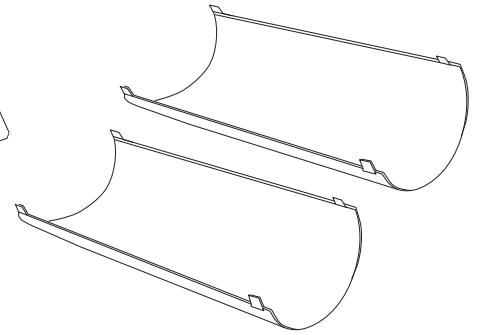
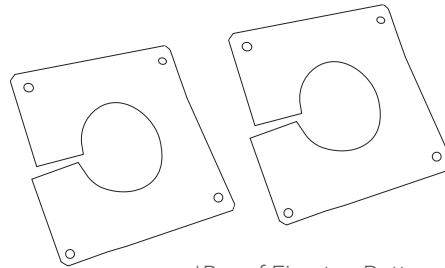
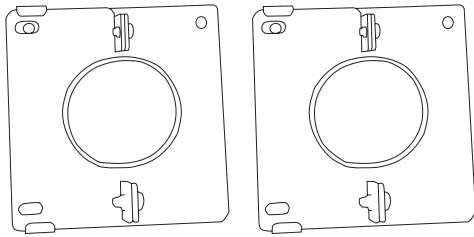


SpecSeal®
Ready Sleeve

SpecSeal® Ready Split Sleeve

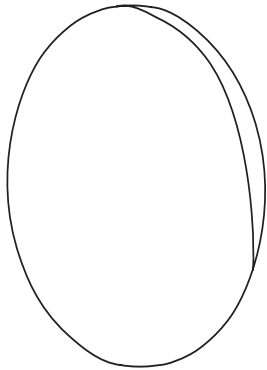


*Bar of Firestop Putty Included in kit

Parts Included (Not to Scale)

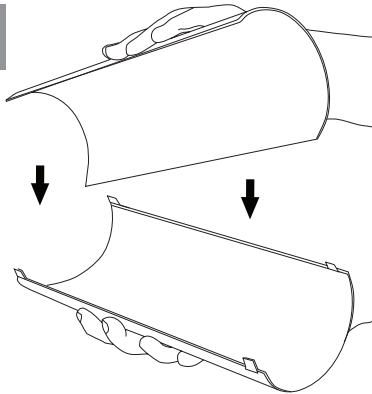
New Work Installations

1



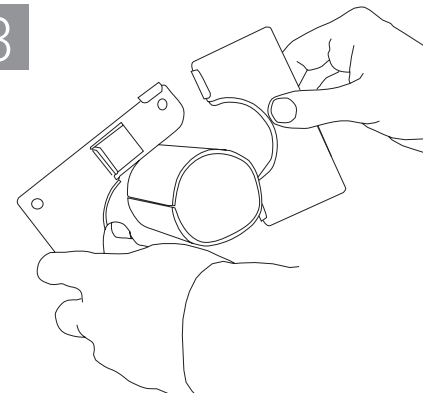
Create round opening in assembly, opening size per Table 1.

2



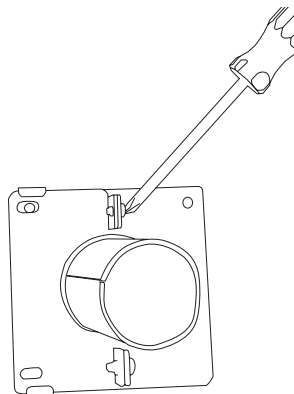
Snap two halves of steel sleeve together and insert into opening. Ends of sleeve to project equally from assembly surfaces.

3



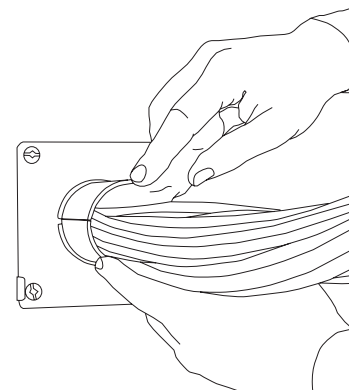
Install gasket and two-piece split escutcheon plates around sleeve and slide to wall on both sides of assembly.

4



With escutcheon plates held tightly against wall, tighten screws. Repeat process on other side of wall.

5



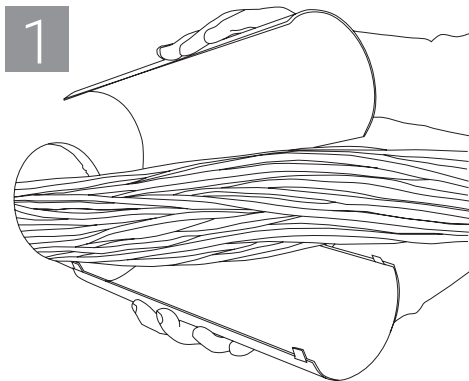
After cabling is installed, install SpecSeal® Putty into sleeve on each side of assembly, flush with ends of steel sleeve. See appropriate UL System for more detail.

TABLE 1

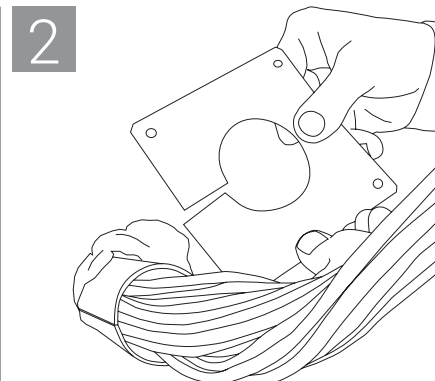
Catalog Number	Trade Size	Minimum Opening Size	Maximum Opening Size
FSR100	1 in. (25 mm)	1.16 in. (30 mm)	2.25 in. (57 mm)
FSR200	2 in. (51 mm)	2.38 in. (60 mm)	4.00 in. (102 mm)
FSR400	4 in. (102 mm)	4.50 in. (114 mm)	6.00 in. (152 mm)



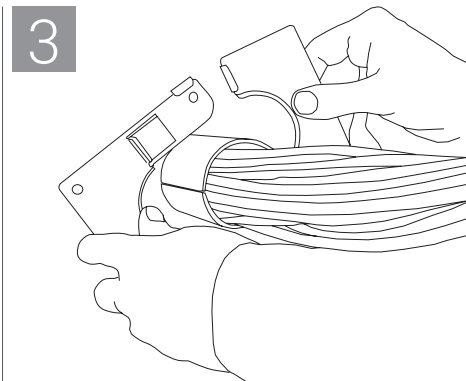
Old Work Installations (Cables Already Installed)



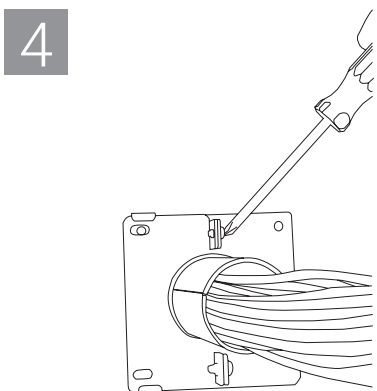
1
Capture the existing cable bundle with each half of the split sleeve and snap the two halves together. Carefully slide sleeve into opening.



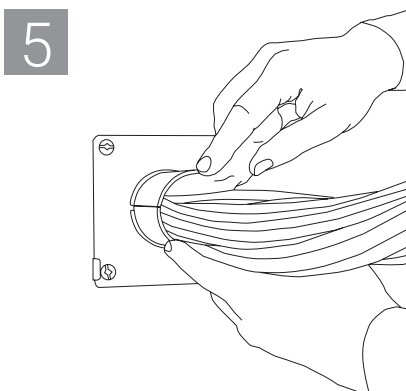
2
Install split intumescent gaskets around sleeve and slide to wall surface.



3
Install gasket and two-piece split escutcheon plates around sleeve and slide to wall.



4
With escutcheon plates held tightly against wall, tighten screws. Repeat process on other side of wall.



5
After cabling is installed, install SpecSeal® Putty into sleeve on each side of assembly, flush with ends of steel sleeve. See appropriate UL System for more detail.

