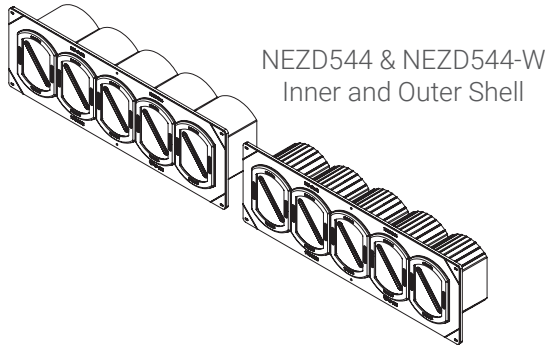
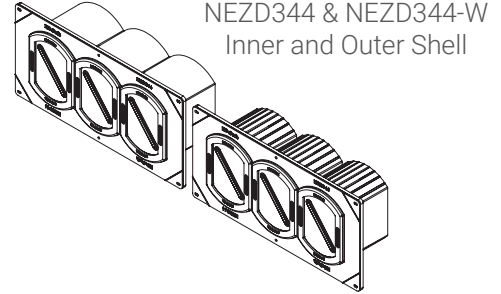


Series 44NEZ Smoke and Acoustical Pathway
(Part No. NEZD344, NEZD344-W, NEZD544, NEZD544-W)
For use in non-fire-rated construction only



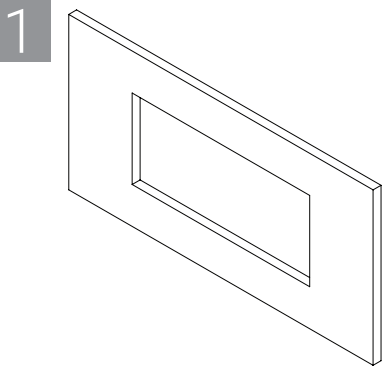
NEZD544 & NEZD544-W
Inner and Outer Shell



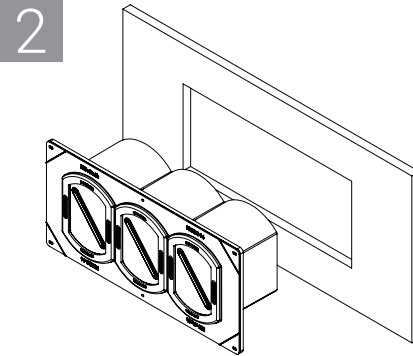
NEZD344 & NEZD344-W
Inner and Outer Shell

Parts Included (Not to Scale)

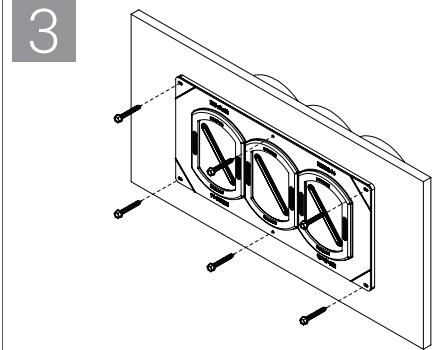
Option 1 - Finished Walls



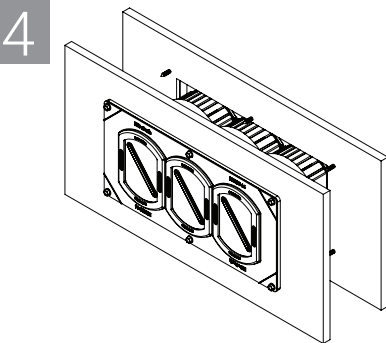
1 Cut opening in wall to accommodate devices (See Table A).



2 Install ganged outer shell with gasketing into opening.



3 Secure device to wall using 6 screws (not included).



4 Repeat steps 1-3 on opposite wall, with using ganged inner shell. Ganged inner shell slides into ganged outer shell within wall.

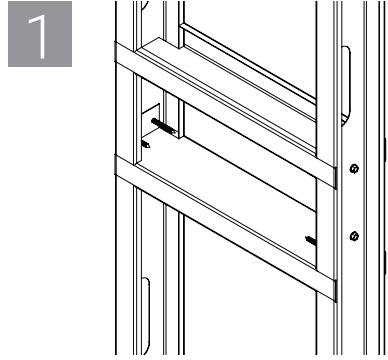
TABLE A: SLOT SIZE & CAPACITY (FINISHED WALLS)

	16" (406 mm)	24" (610 mm)
STUD SPACING	16" (406 mm)	24" (610 mm)
CATALOG NUMBERS	NEZD344 NEZD344-W	NEZD544 NEZD544-W
NUMBER OF DEVICES	3	5
OPENING SIZE IN GYPSUM BOARD	14" x 6-1/4" (356 mm x 159 mm)	22-1/4" x 6-1/4" (565 mm x 159 mm)
FASTENER REQUIREMENTS		
FASTEN TO STUDS	(REQUIRED)	(REQUIRED)

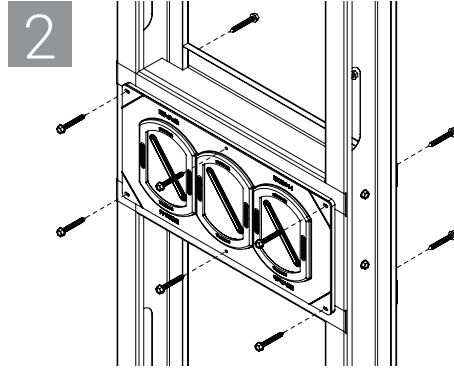


Series 44NEZ Smoke and Acoustical Pathway
(Part No. NEZD344, NEZD344-W, NEZD544, NEZD544-W)
For use in non-fire-rated construction only

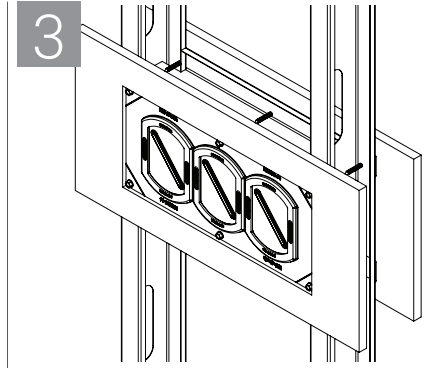
Option 2 - New Wall Construction



1 Install horizontal studs spaced nominal 7-13/16" OC.



2 Install ganged outer and inner shells, fastening to framing members using 6 screws on each side of wall.



3 Install finished gypsum layers, opening in gypsum board layers per Table B. Apply a bead of any SpecSeal® Sealant at device/gypsum interface on both sides of wall.

TABLE B: SLOT SIZE & CAPACITY (PRE-FINISHED WALLS)

STUD SPACING	16" (406 mm)	24" (610 mm)
CATALOG NUMBERS	NEZD344 NEZD344-W	NEZD544 NEZD544-W
NUMBER OF DEVICES	3	5
OPENING SIZE IN GYPSUM BOARD	16" x 7-1/2" (406 mm X 191 mm)	24" x 7-1/2" (610 mm X 191 mm)
FASTENER REQUIREMENTS		
FASTEN TO STUDS	(REQUIRED)	(REQUIRED)

