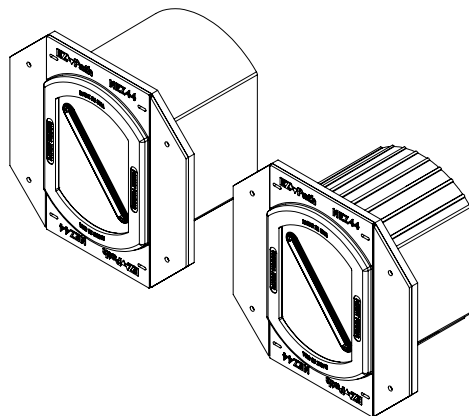
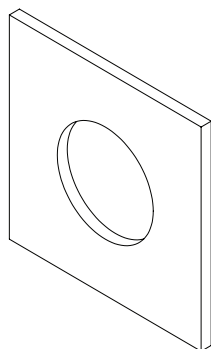


Series 44NEZ Smoke and Acoustical Pathway  
(Part No. NEZ44, NEZ44-W)  
For use in non-fire-rated construction only



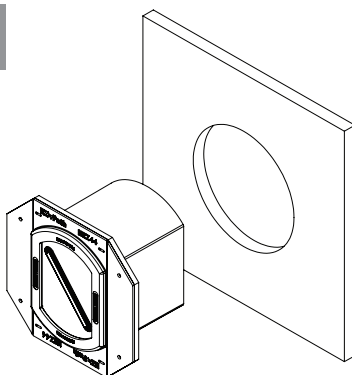
Parts Included (Not to Scale)

1



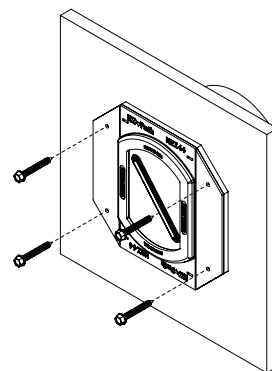
Cut nominal 6" diameter opening in wall.

2



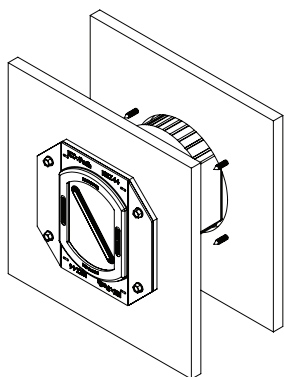
Install outer shell with gasketing into opening.

3



Secure device to wall using 4 screws (Not Included).

4



Repeat steps 1-3 on opposite side of wall using inner shell. Inner shell slides into outer shell within wall.

