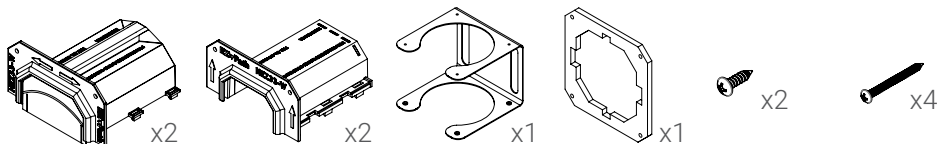
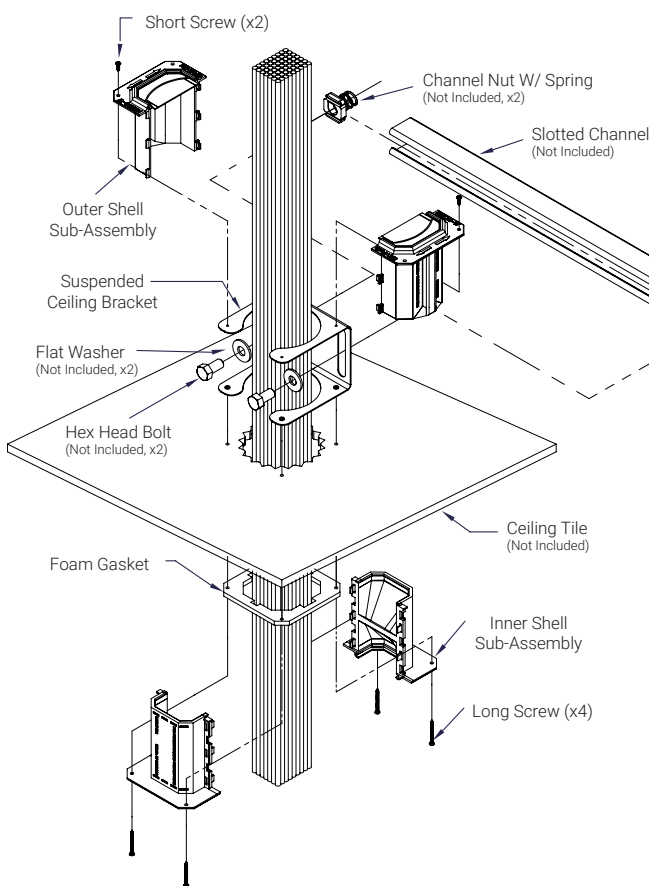


Series 33NEZ Smoke & Acoustical Pathway (Part Number: NEZ33CK2)

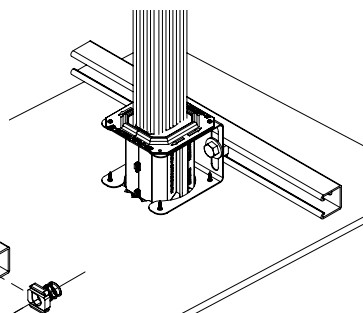
EZPath[®]
SMOKE & ACOUSTICAL PATHWAY



Parts Included (Not to Scale)



ASSEMBLED VIEW:



CEILING INSTALLATIONS:

Installation views shown are typical and representative of installations through ceilings, where cables are already present. These installations require a permanently installed slotted channel (shown), track or other framing member and applicable attachment hardware. These items are required but not supplied.

INSTALLATION TO WALLS:

(NOT SHOWN) For installation along walls, the suspended ceiling bracket must be rigidly mounted directly to the wall or wall framing members. Applicable wall attachment hardware is required but not supplied.

NOTE: Consult project or structural engineer for suitability of the design prior to installation.

Note: For more information on firestop installation, refer to ASTM E3157.