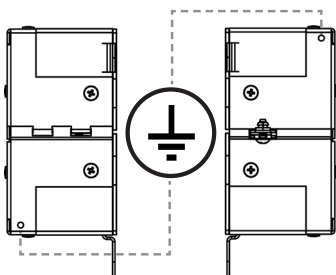
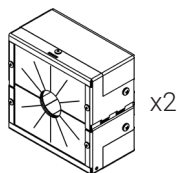


EZDR200 only: Rear Plate Adjustment

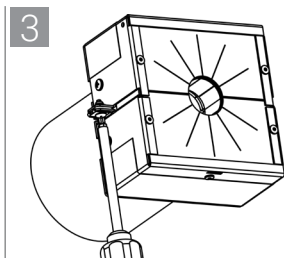
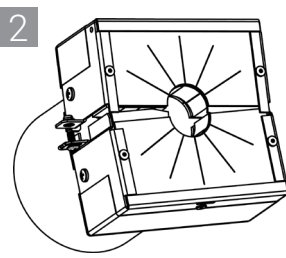
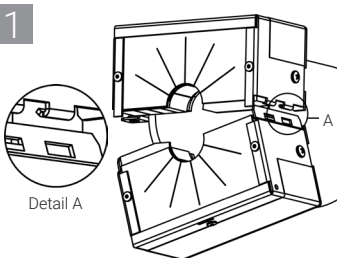


Optional Ground Attachment

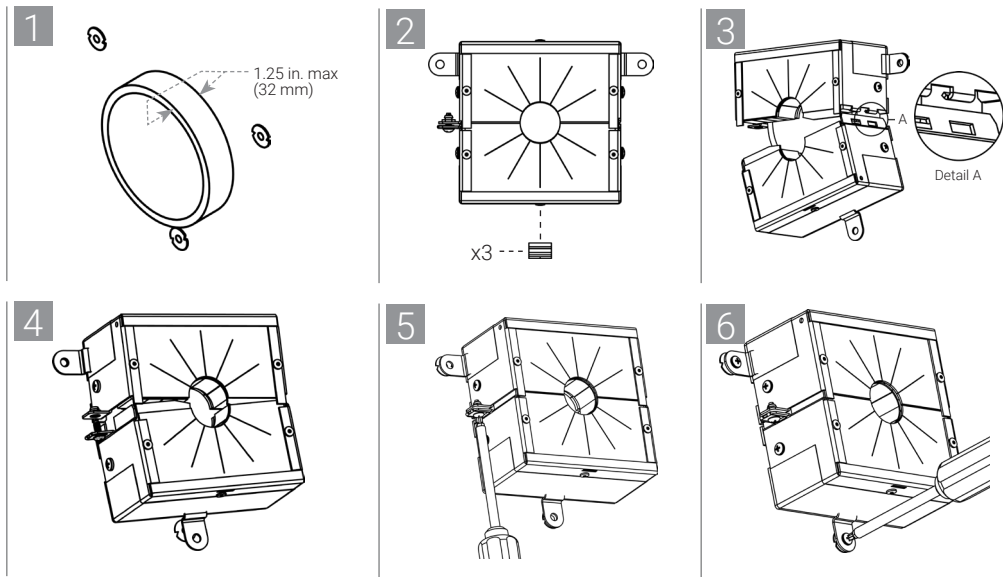


Parts Included (Not to Scale)

Sleeve Mounted Installation



Surface Mounted Installation



Note: Cables are deliberately not shown in any of the images to clarify device installation. However, a visual cable loading of 50 to 100% is required. For cable types and sizes, refer to applicable UL Certified Systems.

For fastener types, consult the latest UL® fire resistance directory for permissible types and sizes.

Page 2 of 2

Warranty: www.stifirestop.com/legal/warranty
Made in USA • Printed in USA
ZIS1254 3478



FIRESTOP
SPECIFIED TECHNOLOGIES INC.

Specified Technologies Inc.
Somerville, NJ 08876 USA
T: (800) 992-1180
F: (908) 526-9623
www.stifirestop.com



Scan for more information