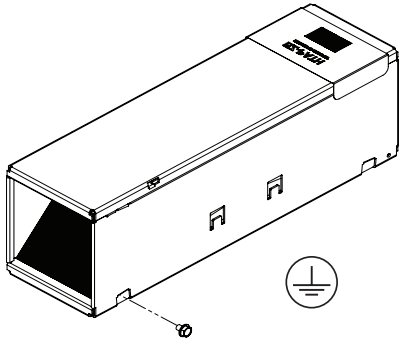
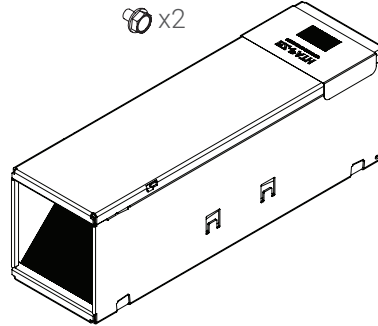


Series 44 Fire Rated Pathway

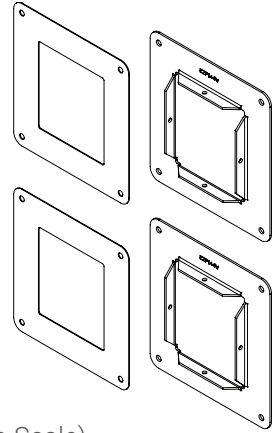
(Part No. EZD44S2, EZDP44S2, EZP144W)



Optional Ground Attachment

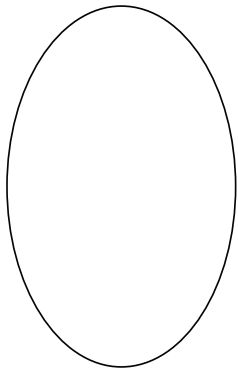


Parts Included (Not to Scale)



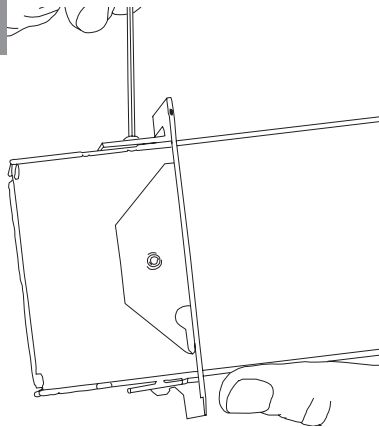
New Work Installation

1



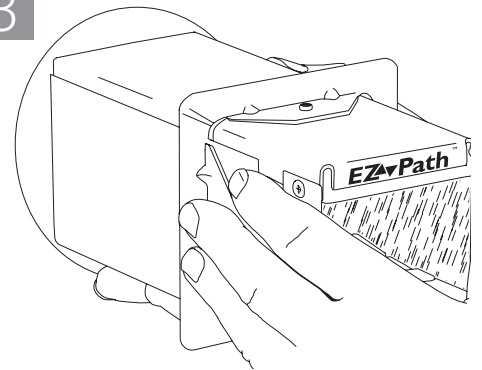
Cut nominal 6 in. (152mm) diameter or 4-1/4 in. (108mm) by 4-3/4 in. (120mm) rectangular opening in wall.

2



Install a wall plate and gasket around pathway making sure that flanges are facing towards the end of the device. Tighten set screws to lock wall plate onto pathway.

3



Insert pathway through wall using previously installed wall plate and gasket as a stop. Moving to the opposite side of the wall, install remaining gasket around pathway and slide toward wall. Install remaining wall plate around pathway, tightening corresponding set screws.

