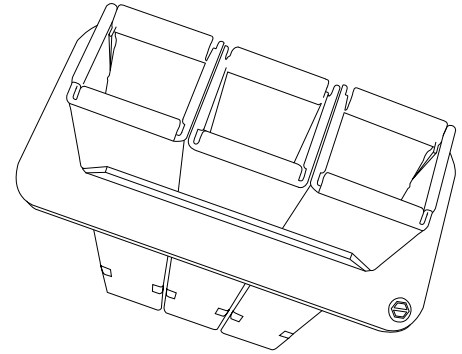


Catalog Number EZDP322GK | EZDP322GK-C

### GENERAL - READ COMPLETELY BEFORE INSTALLING

#### TABLE A: Parts List

QTY	DESCRIPTION
3	EZ-PATH® SERIES 22 DEVICES
2	THREE GANG STEEL PLATES
2	INTUMESCENT GASKETS
6	#10-32 x 5/16" PHILLIPS HEAD STEEL SCREWS
2	WALL LABELS, LARGE
6	WALL LABELS, SMALL
2	GROUND SCREWS

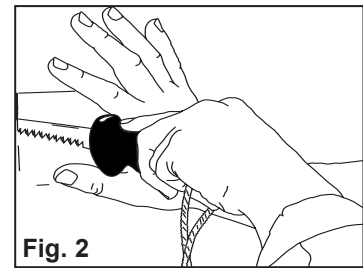
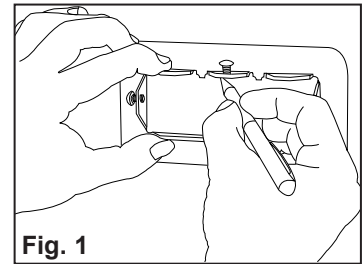


EZ-Path® Series 22 Three-Gang Kit facilitates ganged installation of three EZ-Path® Series 22 Fire Rated Pathways.

### CREATING AN OPENING

**Note: A rectangular opening is required.**

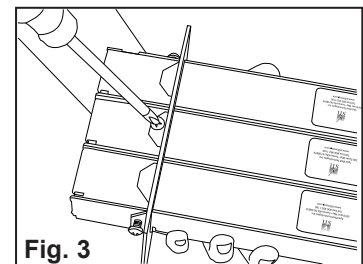
1. Locate suitable area of the wall to penetrate making sure that there are no studs, wires, pipes, or other obstructions located within the wall.
2. Opening dimensions shall be 4-5/8" long x 1-5/8" high.
3. Using a keyhole saw, cut gypsum wallboard. The inside opening of the plates can be used as a template (See Fig. 1.). Cutting to the outside of the line will produce a slightly oversized opening. (See Fig. 2.) Mark and cut opposite side of the wall, exercising care to align both openings. For concrete or concrete block walls, saw cut or form the opening. Insert pathways and check for fit. Remove pathways.
4. Install pathways per instructions below.



### INSTALLATION OF PATHWAYS AND PLATES

Device is installed through barrier and attached using plates to sandwich the barrier. No mechanical attachment to barrier itself is required.

1. Install a plate around pathways making sure that set screw flanges are facing towards the end of the devices. Use gauge marks located on lids of pathways to adjust plate to thickness of barrier (See Fig. 3.). This will center pathway within the barrier. When properly adjusted, tighten set screws to lock plate onto pathways.



*continued on page 2.*

2. Place one of two provided gaskets around opposite end of pathways and carefully slide it back to fit snugly against back side (barrier side) of plate.
3. Insert pathways through barrier (with lid gauge marks facing upwards in walls) using previously installed plate and gasket as a stop (See Fig. 4).
4. Moving to the opposite side of the barrier, install remaining gasket around pathway and slide toward barrier.
5. Install remaining plate around pathways and slide it toward barrier surface. While pulling pathway toward you, push plate and gasket tightly to barrier and tighten set screws. Check devices for excessive play. If devices appear to be loose or can easily be moved, readjust plates as necessary to tighten devices firmly against barrier.

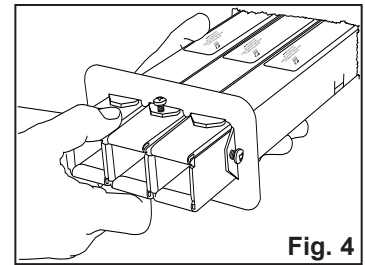


Fig. 4

## INSTALLING or PULLING CABLES

A resilient liner provides an adjustable seal within the pathway. Liner must be protected from damage while adding or removing cables. Wrap cable ends with a suitable low friction tape before inserting into the pathway. This device is designed to be fully functional at all cable loadings from completely empty to visually filled and cables should easily slide through the pathway using minimal effort. IF RESISTANCE IS ENCOUNTERED, DO NOT FORCE CABLES OR CABLE BUNDLES THROUGH THE PATHWAY. DAMAGE MAY RESULT. Upper curved liner may be depressed if necessary when inserting cables using a flat, smooth implement and removing after cables are installed.

## GROUNDING

At the option of the installer, this device may be grounded. After device and plates have been installed, insert ground screws where indicated on plate (See Fig. 5).

## BARRIER LABELING

Barrier labels are provided with the pathway. Larger orange colored label is intended to be used to identify the pathway's installer as well as to provide applicable UL System information. Two labels are provided for marking both sides of barrier.

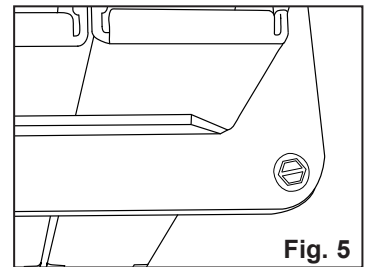


Fig. 5

## MAINTENANCE

No maintenance of the pathway is normally required. Interior of device should be inspected before and after any modifications to cable bundle. If any damage to intumescent pads lining top and bottom of the pathway is found, contact the factory to determine if replacement is required.

**IMPORTANT NOTICE:** All statements, technical information, and recommendations contained herein are based upon testing believed to be reliable, but the accuracy and completeness thereof is not guaranteed.

**WARRANTY:** Specified Technologies Inc. manufactures its goods in a manner to be free of defects. Should any defect occur in its goods (within one year), Specified Technologies Inc., upon prompt notification, will at its option, exchange or repair the goods or refund the purchase price.

**LIMITATIONS AND EXCLUSIONS:** THIS WARRANTY IS IN LIEU OF ALL OTHER REPRESENTATIONS EXPRESSED OR IMPLIED (INCLUDING THE IMPLIED WARRANTIES OF MERCHANTABILITY OR FITNESS FOR USE) AND UNDER NO CIRCUMSTANCES SHALL SPECIFIED TECHNOLOGIES INC. BE RESPONSIBLE FOR ANY INCIDENTAL OR CONSEQUENTIAL PROPERTY DAMAGE OR LOSSES. PRIOR TO USE, THE USER SHALL DETERMINE THE SUITABILITY OF THE PRODUCT FOR ITS INTENDED USE, AND THE USER ASSUMES ALL RISKS AND LIABILITY FOR SUBSEQUENT USE. No statement or recommendation not contained herein shall have any force or effect unless in an agreement signed by officers of seller and manufacturer.

MADE IN THE USA – COPYRIGHT © 2007 SPECIFIED TECHNOLOGIES, INC.



200 Evans Way • Somerville, NJ 08876  
 Phone: (800) 992-1180 • Fax: (908) 526-9623  
 STI on the WEB: [www.stifirestop.com](http://www.stifirestop.com)