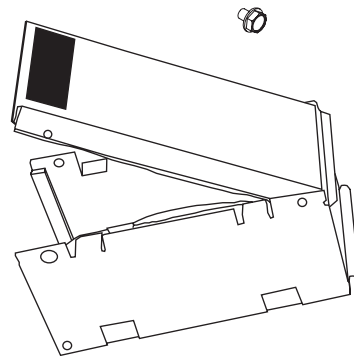
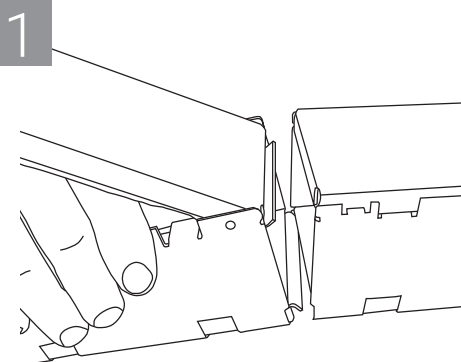


Optional Ground Attachment

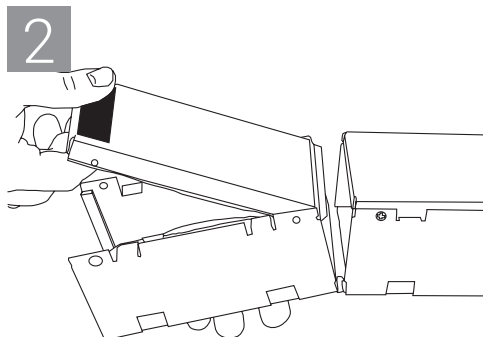


Parts Included (Not to Scale)

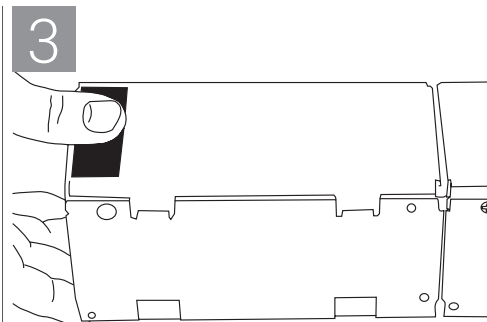
Option 1 - New Work Installations



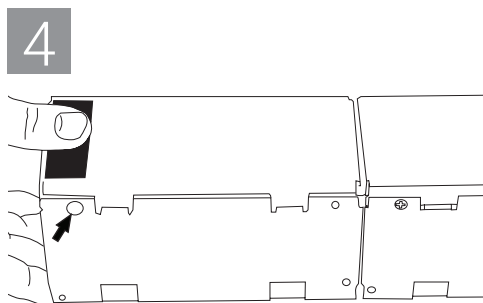
Tilt lid from extension channel and insert fixed lower coupler into pathway



Tilt extension upward until upper coupler is within pathway



Engage upper coupler to top flange on pathway by tilting extension lid downward



Secure closed lid to extension channel by installing and tightening the included screws.



Option 2 - Old Work Installations (Cables Already Installed)

