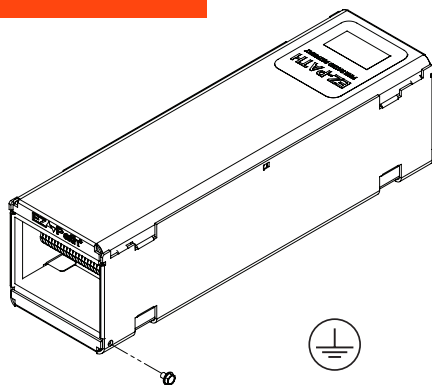
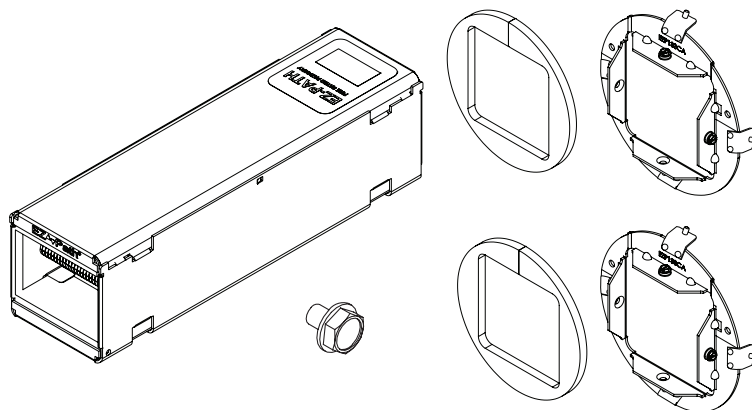


Series 33 Split Conduit Attachment Plate
(Part No. EZP133CA, EZDP133CAK)

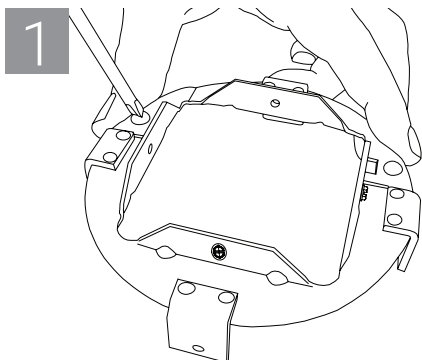


Optional Ground Attachment

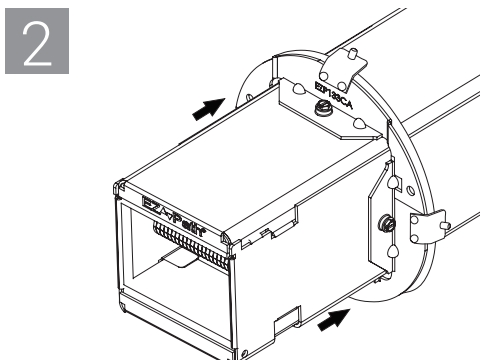


Parts Included (Not to Scale)

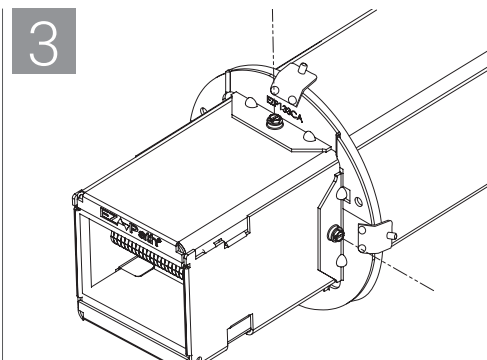
Option 1 - New Work Installations



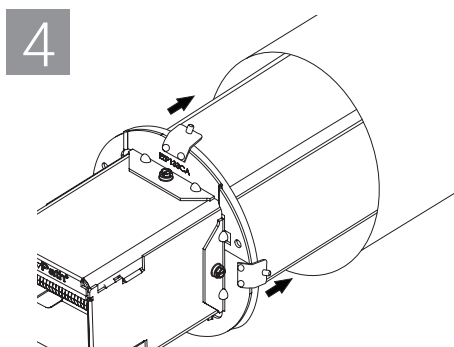
1 Assemble split conduit mounting plates by using (2) #8-32 x 1/4" screws.



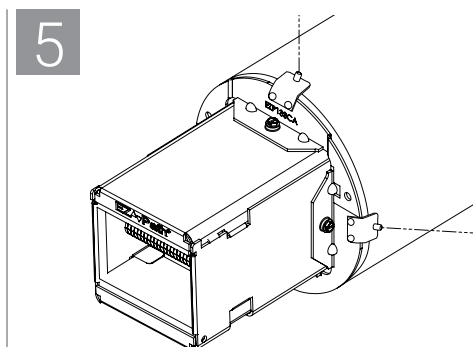
2 Slide pathway and gasket into opening in mounting plate.



3 Secure plate to pathway by tightening hex head slotted screws.

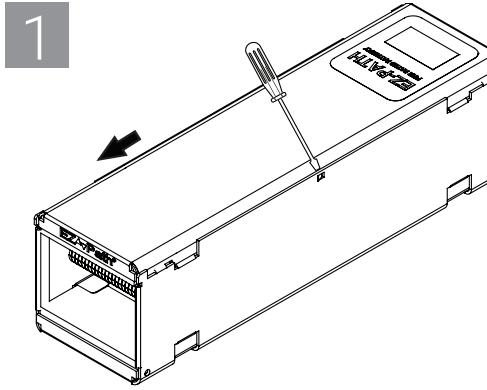


4 Place pathway into sleeve

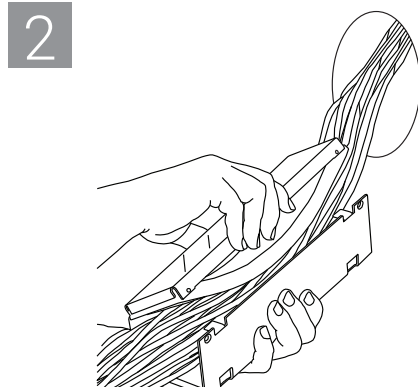


5 Secure mounting plate to sleeve

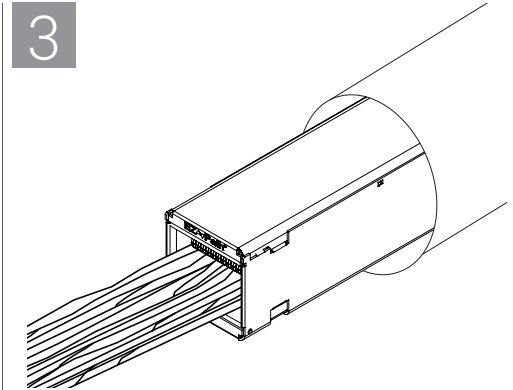
Option 2 – Old Work Installations (Cables Already Installed)



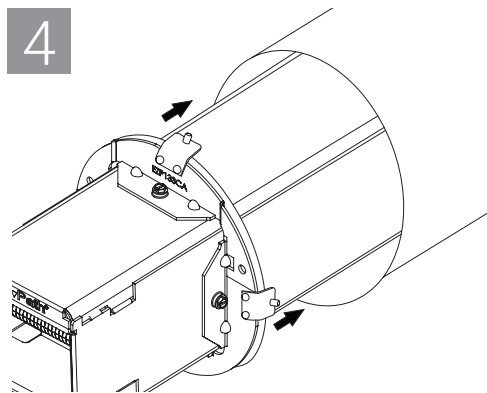
1
Remove lid by placing screw driver into indent on topside of device, sliding lid toward one end of device



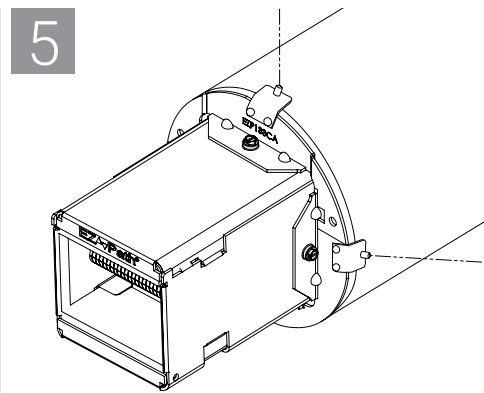
2
Reassemble device lid and body around cables



3
Place device in sleeve



4
Assemble split conduit mounting plate around device and end of conduit, securing in place using hex head slotted screws,



5
Secure mounting plate to sleeve

