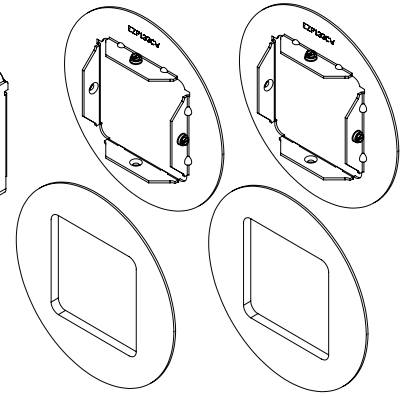
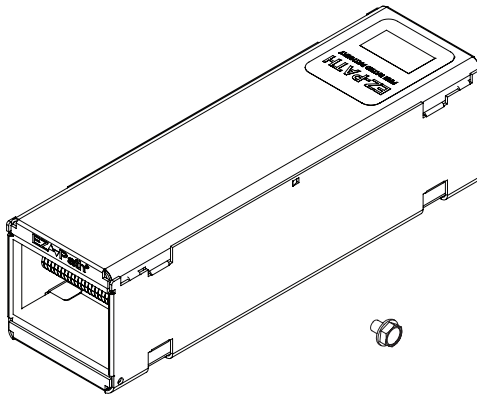


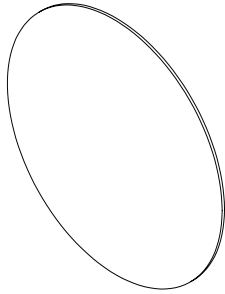
Optional Ground Attachment



Parts Included (Not to Scale)
Device not included in Cat. No. EZP133CW

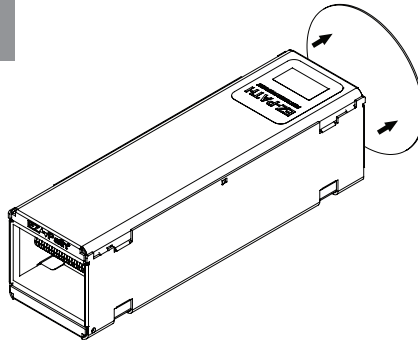
New Work Installations

1



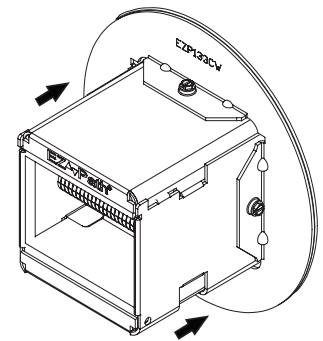
Cut Nom. 4" (102mm) diameter hole in the wall

2



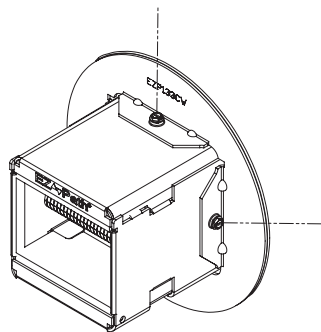
Slide pathway into hole, ends of pathway to extend equally from wall surfaces

3



Slide plate and gasket around pathway on both sides of wall

4



Fasten plates onto pathway on both sides of wall using any standard slotted screwdriver, 1/4" open-end or closed-end wrench, or 1/4" nut driver