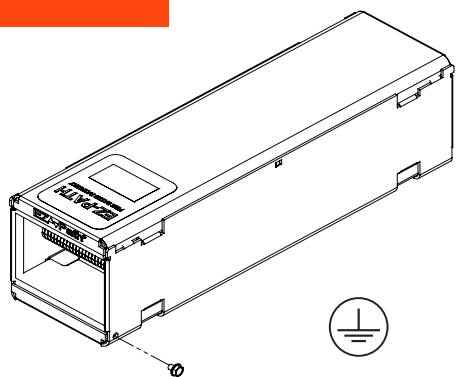
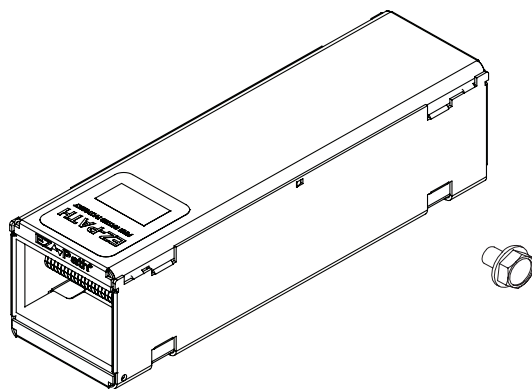
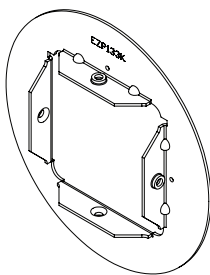


Kick-In Plate - EZP133K & EZDP133FK

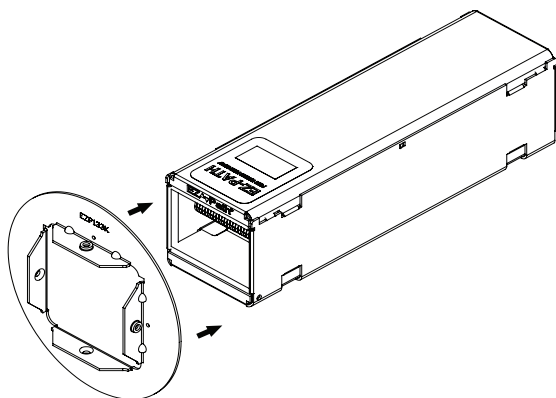


Optional Ground Attachment



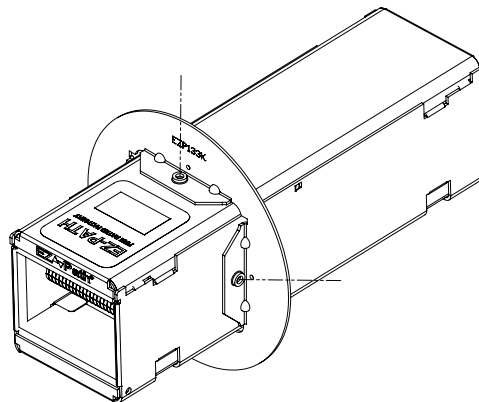
Parts Included (Not to Scale) - Device not included in Cat. No. EZP133K

1



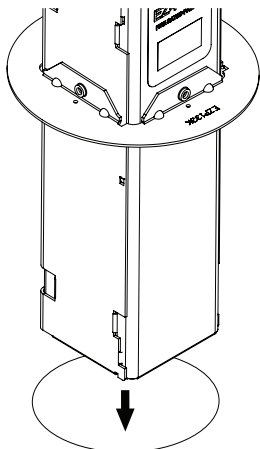
Place plate around the pathway

2



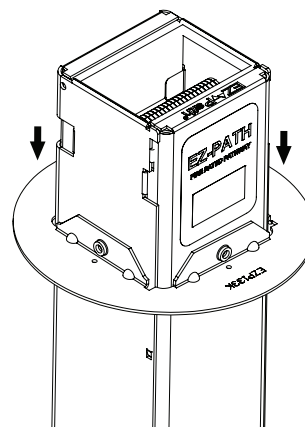
Use any standard slotted screwdriver, 1/4" open-end or closed-end wrench, or 1/4" nut driver to tighten plate around the pathway

3



Place pathway into nominal 4 in. (102 mm) diameter opening

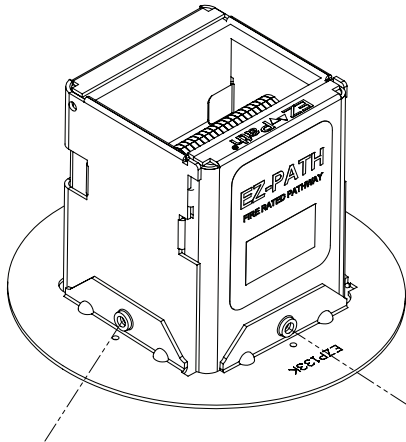
4



Apply pressure on plate to secure in hole

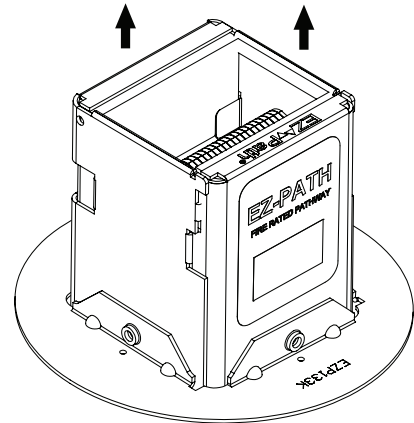
Uninstalling Plate/Pathway Assembly

1



While holding the pathway, loosen the screws in the plate flanges

2



Slide pathway out of plate

