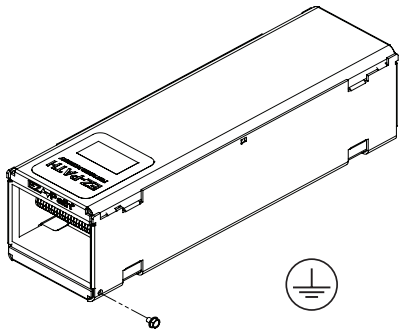
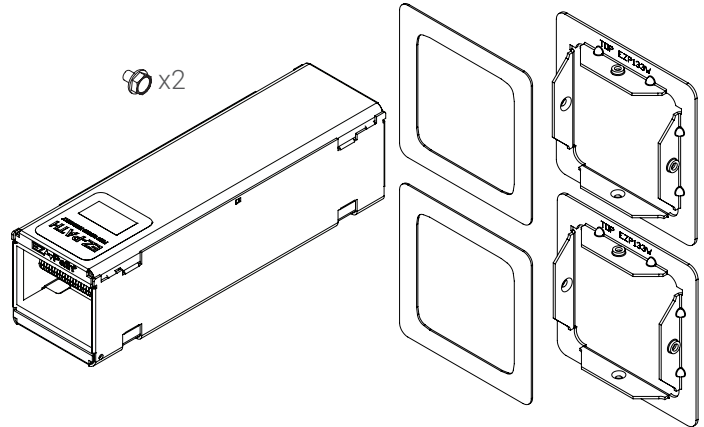


Series 33 Fire Rated Pathway Rectangular Plate Kit
(Part No. EZDP33FWS/EZP133W, EZDP233GK/EZP233W, EZDP333GK/EZP333W)



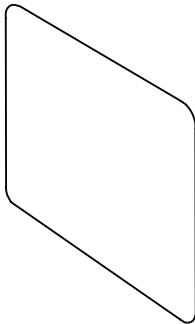
Optional Ground Attachment



Parts Included (Not to Scale)

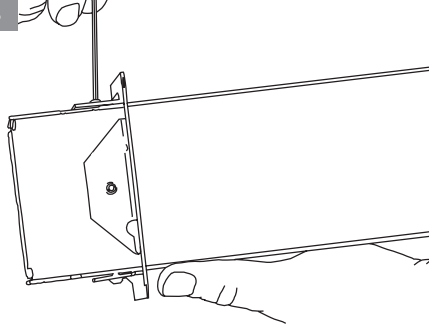
New Work Installation

1



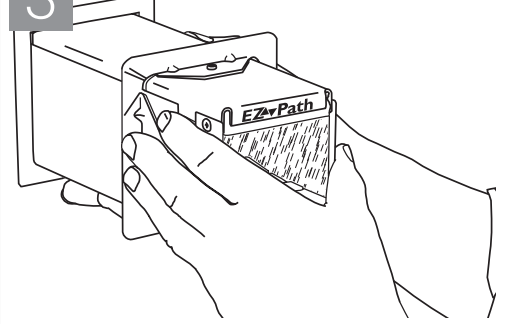
Cut opening into wall, opening dimensions per Table A.

2



Install steel retaining plate and gasket on one end of device with flanges oriented towards end of device. Secure plate to pathway by tightening hex head slotted screws

3



Insert Device into opening and install steel retaining plate and gasket on opposing side of wall. Secure plate to pathway by tightening hex head slotted screws. Ends of device to project equally from wall surfaces.

TABLE A: OPENING DIMENSIONS

Configuration	Single	Double	Triple
Steel Retaining Bracket	EZDP33FWS/EZP133W	EZDP233GK/EZP233W	EZDP333GK/EZP333W
Opening Height	3-1/8" (79 mm)	3-1/8" (79 mm)	3-1/8" (79 mm)
Opening Width	3-1/8" (79 mm)	6-1/8" (156 mm)	9-1/8" (232 mm)

