



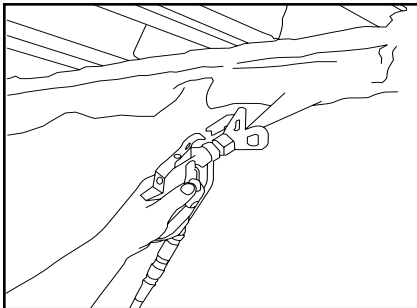
SMOKE 'N' SOUND ACOUSTICAL SPRAY

APPLICATIONS

SMOKE CONTROL: Where stopping the passage of smoke is necessary such as in smoke partitions.

NOISE CONTROL: Where reducing the transmission of sound through wall openings is necessary to help ensure occupant privacy and peaceful environment.

INFECTIOUS/DUST CONTROL: Where reducing the transmission of dust and other airborne particulates through wall openings is necessary.



PRODUCT DESCRIPTION

SpecSeal® Smoke 'N' Sound Spray is a high quality acrylic latex spray designed for static or minimally dynamic linear joints or gaps in non rated barriers.

SpecSeal® Smoke 'N' Sound Spray is formulated to adhere to all common construction surfaces and may be applied using airless spray equipment or with a brush (for small applications and touch ups).

SpecSeal® Smoke 'N' Sound Spray dries to form a flexible shield against particulate air and smoke. Its premium latex binder system is totally resistant to water and will not re-emulsify after drying. SpecSeal® Smoke 'N' Sound Spray contains no inorganic fibers, asbestos, or solvents.

SpecSeal® Smoke 'N' Sound Spray contains no solvents that might adversely affect plastic pipes or cable jackets.

FEATURE	BENEFIT
• Economical	High performance without the high price!
• Water Resistant	Will not re-emulsify when dry.
• Water-Based	Easy installation, cleanup, and disposal.
• Safe	No solvents! No asbestos!
• Thixotropic	Offers high build application.
• Acoustically Tested	Reduces noise transmission.
• Low Abrasion	Longer pump life and less maintenance.
• Low VOCs	Safe, No solvents, Non-Halogenated
• Paintable	

PERFORMANCE

SpecSeal® Smoke 'N' Sound Spray has superb color stability and resistance to ultraviolet rays, ozone, and airborne contaminants. It is also mildew resistant and meets Class A finish requirements for Flame Spread and Smoke Development when tested in accordance with ASTM E84. SpecSeal® Smoke 'N' Sound Spray when applied to a wet film thickness of 1/8" (3.2 mm to 1/4" (6mm) over appropriate backing materials, provides less than one cfm air leakage when tested in accordance with UL2079 or UL1479 and is also acoustically tested, demonstrating excellent sound attenuation properties.

LIMITATIONS: Use product as per manufacturer's instructions. Use only in applications per the manufacturer's published designs or specific recommendations. End user must ultimately determine the suitability of the product and/or design to his or her specific requirements and assumes responsibility for its use. **PRODUCT CONTAINS WATER AND IS CONDUCTIVE UNTIL DRY. DO NOT APPLY IN THE PRESENCE OF EXPOSED OR ENERGIZED ELECTRICAL CONDUCTORS.**

PHYSICAL PROPERTIES

Properties	Smoke 'n' Sound Spray
Color	White
Odor	Mild Latex
Specific Gravity	1.25
Solids Content by Weight	74%
Solids Content by Volume	64%
Flame Spread (ASTM E84/UL723)	5
Smoke Developed (ASTM E84/UL723)	0
Movement/Elongation	±8%
Coverage	12.8 sq ft/gallon @1/8"
Viscosity	(0.31 m ² L @ 3.2 mm) 150,000 – 200,000 cps

Properties	Smoke 'n' Sound Spray
pH	7-8
Solvent Content	NA
In Service Temperature	≤185° F (85°C)
Storage Temperature	40° F (4°C) - 95° F (35°C)
Application Temperature	60-90° F (16-32°C)
Dry Time	
Tack Free	*2 Hrs
Dry Through	*24 to 48 Hrs
STC Rating	61(Relates to specific construction) (ASTM E 90-04/ASTM C919)
VOC Content (EPA Method 24/ASTM D3960)	0.16 lb/gal. (19 g/L)
Shelf Life	2 Years

* Tack free and dry through time may be affected by weather conditions

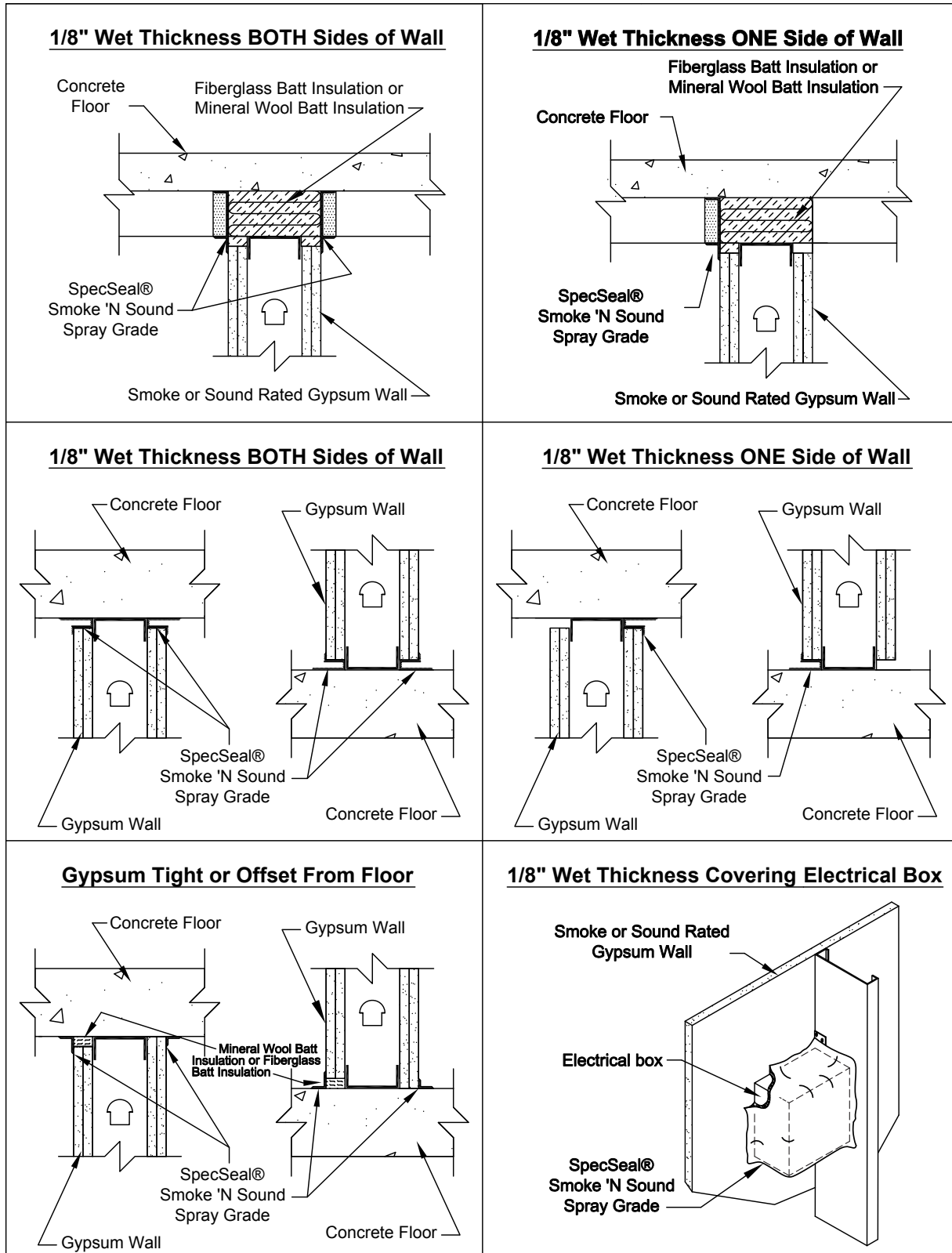


SPECIFICATIONS

The smoke sealing spray shall be a water based, high quality latex coating and shall dry to a water resistant and flexible smoke seal when dry. The coating shall be tested for smoke sealing, noise abatement (acoustical) properties and shall meet class A finish requirements when tested in accordance with ASTM E84 (UL723). The approved coating shall be SpecSeal® Smoke 'N' Sound Spray.

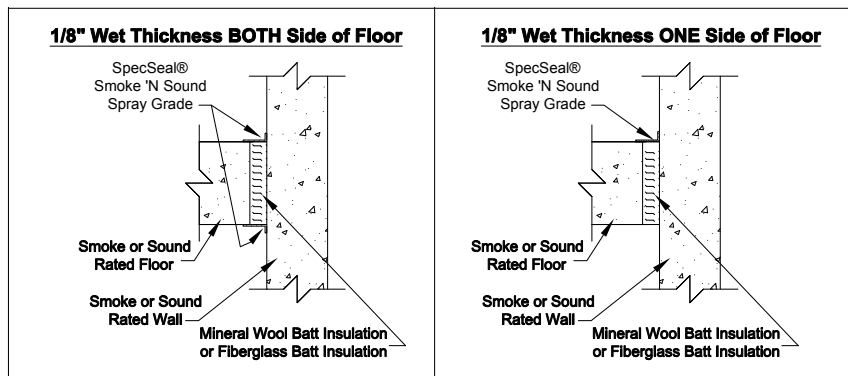
Specified Divisions

- Division 7 – Section 07 90 00 – Joint Protection
- Division 7 – Section 07 95 00 – Expansion Control
- Division 9 – Section 09 20 00 – Plaster and Gypsum Board
- Division 9 – Section 09 80 00 – Acoustic Treatment



INSTALLATION INSTRUCTIONS

GENERAL: Areas to be sealed must be clean and free of frost, oil, loose dirt, rust or scale. Refer to PHYSICAL PROPERTIES for recommended storage and application temperatures. When applying coating at lower end of temperature range, warming the material to 70°F (21°C) will enhance drying characteristics. Drying time will vary according to prevailing temperature and humidity. Allow coating to thoroughly dry before exposure to moisture. Consult appropriate manufacturer's instructions. Forming or packing materials may be required as an integral part of various designs. Coating may be applied by airless sprayer up to 1/4" (6 mm) wet coating depth. If applying by brush or spraying on vertical surfaces where coating appears to be prone to slumping, multiple coats, or the application of a thin tack coat may be required. DO NOT ATTEMPT TO THIN PRODUCT BY ADDING WATER.



MAINTENANCE

Inspection: Installations should be inspected periodically for subsequent damage. Following safety precautions listed below and pertinent installation guidelines, remove coating in damaged areas down to undamaged material. Reapply fresh coating material to original coating thickness.

TECHNICAL SERVICE

Specified Technologies Inc. provides toll free technical support to assist in product selection and appropriate installation design. UL Systems, Material Safety Data Sheets and other technical information are available in the Technical Library at www.stifirestop.com.

PRECAUTIONARY INFORMATION

Consult Material Safety Data Sheet for additional information on the safe handling and disposal of this material. Wash areas of skin contact with soap and water. Avoid contact with eyes. The use of an OSHA or NIOSH approved mask for dust and mist environment is recommended. Apply in areas with adequate ventilation.

LIMITATIONS: SpecSeal® Smoke 'N' Sound Spray is water-based and cures through the evaporation of water. Low temperatures as well as high humidity may retard drying. Non-porous or impermeable backing materials, plates, or coatings may retard the drying process. This product has been designed to be safe with plastics and has been used extensively and successfully with a variety of different types of plastic pipes, tubes, and plastic cable insulations. Variations in these materials however, make it impossible to guarantee compatibility. STI strongly recommends that the user consult with the manufacturer of the pipe, tubing, or cable in question regarding any known sensitivities or potential restrictions before applying this product. This product is recommended for use in sealing non-rated assemblies only and is not intended for use in fire-rated barriers. Consult the local Authority Having Jurisdiction for local code requirements regarding smoke partitions prior to installing this product. Consult Specified Technologies Inc. for recommendations concerning sealing applications in fire rated walls or floors.

CAUTION: COATING IS CONDUCTIVE UNTIL DRY. DO NOT APPLY TO OR IN THE PRESENCE OF ENERGIZED ELECTRICAL CONDUCTORS.

AVAILABILITY

SpecSeal® Smoke 'N' Sound Spray is available from authorized distributors worldwide. Consult factory for names and locations of the nearest sales representatives or distributors.

Part #	Description	Packaging	Size
SNS205	Smoke 'n' Sound Acoustical Spray	Pail	5 Gallon (19.0 L)

IMPORTANT NOTICE: All statements, technical information, and recommendations contained herein are based upon testing believed to be reliable, but the accuracy and completeness thereof is not guaranteed.

LIMITED WARRANTY: STI warrants that its products will be free of defects for one year from the date of purchase. In the event a product does not conform to this warranty, the sole and exclusive remedy is, at STI's option, replacement of the product or refund of the purchase price. The warranty provided herein shall be void and of no effect in the event that the product is not installed in accordance with STI's published instructions, listed systems and applicable building and safety codes. THIS WARRANTY IS IN LIEU OF ALL OTHER REPRESENTATIONS AND EXPRESSED OR IMPLIED WARRANTIES (including the implied warranties of merchantability or fitness for a particular use) AND UNDER NO CIRCUMSTANCES SHALL STI BE LIABLE FOR ANY DIRECT, INDIRECT, SPECIAL, INCIDENTAL OR CONSEQUENTIAL DAMAGES OR LOSSES, INCLUDING, WITHOUT LIMITATION, ANY LOSS OF REVENUE, PROFIT OR USE. Prior to use, the user shall determine the suitability of the product for its intended use, and the user assumes all risks and liability for subsequent use. No person other than an officer of STI is authorized to bind STI to any other warranty for any product for which this warranty is issued.

MADE IN THE USA – COPYRIGHT © 2016 SPECIFIED TECHNOLOGIES INC.



Specified Technologies Inc.

Somerville NJ 08876 USA • Phone: 800.992.1180 • Fax: 908.526.9623



Technical Service 1-800-992-1180
www.stifirestop.com

STI Product Data Sheet • Series SNS Spray • FOD-5131 1586