

SpecSeal® Quick Clip™ L-Bracket Perimeter Fire Barrier System

The SpecSeal® Quick Clip™ L-Bracket Perimeter Fire Barrier System is designed to accelerate the installation of curtain wall insulation for perimeter fire barrier systems. Each L-Bracket is fastened into the mullion with steel screws to support the curtain wall insulation. Self-locking fasteners secure the insulation panels in place. The L-Bracket has a receiving slot to lock an "L-shaped" stiffener channel in place without the need for mechanical attachment by screws.

The insulation fasteners are faster to install than screws or weld pins and lock in by hand. The L-Brackets are designed to provide easy location for the Quick Clip™ Fasteners. Unlike traditional insulation hangers with impaling pins or spikes that face out, the Quick Clip™ fasteners push in, affording workers better safety. The system's unique L-Bracket design allows for preinsulation of Curtain Wall Spandrel Panels on the factory floor or field installation of curtain wall insulation from the outside of the building.

Mullion insulation applied below the floor is secured in place with spiral screws.

SpecSeal® Quick Clip™ Perimeter Fire Barrier Systems are used in conjunction with UL Certified mineral wool and SpecSeal® brand coatings.

Specifications

Specified Divisions

Division 7	07 84 53	Building Perimeter Firestopping
Division 8	08 44 00	Curtain Wall and Glazed Assemblies

Performance

- Tested per ASTM E2307 for fire resistance
- Tested for wind cycling exposure in accordance with ASTM E1233
 - Loading Equivalent to 108 mph wind for 500 cycles

Features & Benefits

- Quick installation
- Easy installation of stiffener channel
- Increased safety by reducing cutting sharp metal and impaling pins or spikes
- Patent Nos. 10,329,761, 10,329,762, others pending
- Allows for factory insulating of curtain wall spandrel panels

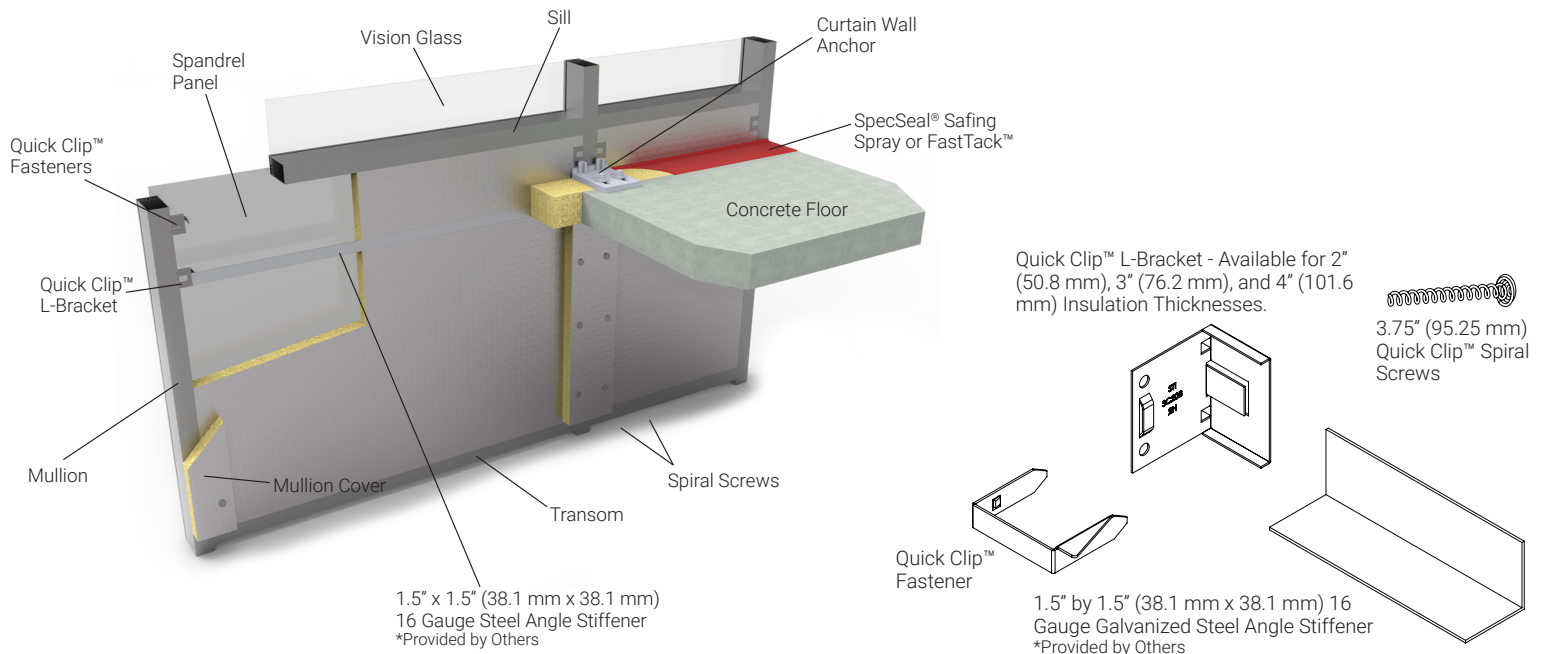
System Selection

To find your firestop system or create a submittal, <https://systems.stifirestop.com/> to use System Search & Submittal Builder. You may also visit the UL Online Certifications Directory/UL Product iQ™ for complete listings. (Firestop Systems).

Technical Service

Specified Technologies Inc. provides toll free technical support to assist in product selection and appropriate installation design. UL System designs suitable for submittal or specification purposes are available on request. A complete library of technical information is provided at the company's website www.stifirestop.com including Safety Data Sheets (SDS's).

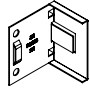
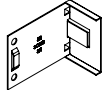
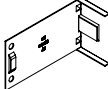

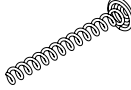
Application



SpecSeal® Quick Clip™ L-Bracket Perimeter Fire Barrier System



ORDERING INFORMATION

Catalog Number	UPC Number	Product Name	Product Image	Mullion Width	Insulation Thickness	Weight (Each)	Case Qty.	Material
SC20B	730573100271	Quick Clip™ L-Bracket			2" (50.8 mm)	0.09 lbs (0.04 kg)	100	
SC30B	730573100288	Quick Clip™ L-Bracket		All	3" (76.2 mm)	0.11 lbs (0.05 kg)	100	Galvanized steel
SC40B	730573100295	Quick Clip™ L-Bracket			4" (101.6 mm)	0.13 lbs (0.06 kg)	100	
SB2020	730573100257	Quick Clip™ Fastener		All	All	0.04 lbs (0.02 kg)	100	Galvanized steel
SA375	730573100264	Quick Clip™ Spiral Screws		N/A	All	0.02 lbs (0.01 kg)	1000	Galvanized steel

IMPORTANT NOTICE: ALL STATEMENTS, TECHNICAL INFORMATION, AND RECOMMENDATIONS CONTAINED HEREIN ARE BASED UPON TESTING BELIEVED TO BE RELIABLE, BUT THE ACCURACY AND COMPLETENESS THEREOF IS NOT GUARANTEED.

STI TYPICALLY WARRANTIES ITS PRODUCTS FOR ONE FULL YEAR. FOR COMPLETE DETAILS OF OUR STANDARD WARRANTY, PLEASE VISIT WWW.STIFIRESTOP.COM/LEGAL/WARRANTY
MADE IN THE USA – © 2019 SPECIFIED TECHNOLOGIES INC.

