

EZ-Path® NEZ33CK2

Smoke & Acoustical Pathway
With Ceiling Kit



▼ PRODUCT DESCRIPTION

EZ-Path® Smoke & Acoustical Pathway with ceiling kit is a pathway device designed for new and existing cable installations to allow cables to penetrate non-rated ceilings without the need for smoke sealing. This device features a built-in smoke sealing system that automatically adjusts to the amount of cables installed. Once installed in a ceiling, cables can be easily added or removed at any time without the need to remove or reinstall caulking materials.

Its unique profile allows a maximum number of cables to be installed in a relatively small area. The pathway measures approximately 4.5" (114 mm) x 4.5" (114 mm) and is adjustable to accommodate ceiling tile thicknesses.

▼ APPLICATIONS

EZ-Path® Smoke & Acoustical Pathway with Ceiling Kit is designed for easy installation in non-rated ceilings. Tested and approved cable capacities range from 0 to 100% visual fill.

EZ-Path® Smoke & Acoustical Pathway with ceiling kit provides exceptional cable capacity. A single unit installed in a ceiling exceeds the cable carrying capacity of a 4" (102 mm) sleeve utilizing typical putty firestop systems (35% cable loading).

▼ FEATURES & BENEFITS

- New and existing cable installations
- Cable Management by use, type and vendor
- Zero Maintenance - easy moves, adds and changes
- Excellent Acoustical Performance; Low Smoke Leakage Ratings
- Easy to install
- Clean, engineered appearance
- Pathway adjusts to accommodate ceiling thicknesses

▼ PHYSICAL PROPERTIES

Shell Composition	V-0 High Impact ABS/PC Thermoplastic
Seal & Curtain	Flame Retardant Silicone Rubber
Cable Loading Area	6.7 in ² (43.2 cm ²)
Allowable Cable Fill	0 - 100%
Ceiling Area Required (ft ² / Device)	0.167 ft ²
In-Service Temp.	-30°F - 130°F (-34°C - 54°C)

▼ PERFORMANCE

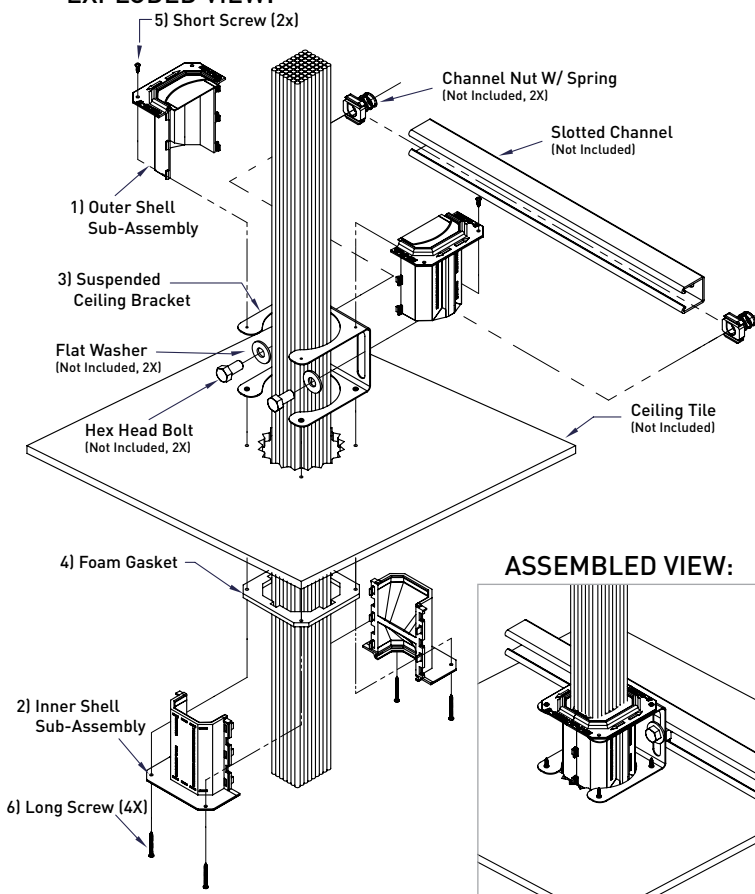
Max Cable Loading (Visual Fill)	L Rating (CFM/Device)
0%	< 1
100%	< 2.5
Note: L Ratings Tested According to Air Leakage Test Procedure As Outlined in UL 1479 without a Fire Test. DEVICE NOT SUITABLE FOR USE IN FIRE RATED BARRIERS.	
Plenum tested to UL2043 (Horizontal and Vertical Installations)	
Sound Transmission Classification (STC)	61* (Relates to specific construction) (ASTM E 90-09)

* Results based on NEZ33 wall testing results

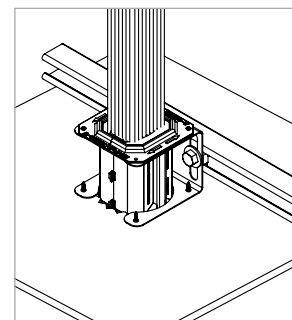
▼ COMPONENTS INCLUDED

1)	2)	3)	4)	5)	6)
Outer Shell Sub-Assembly. (2x)	Inner Shell Sub-Assembly. (2x)	Suspended Ceiling Bracket (1x)	Foam Gasket (1x)	#6 x 0.5" (12.7 mm) Screw (2x)	#6 x 1.5" (38.1 mm) Screw (4x)

EXPLODED VIEW:



ASSEMBLED VIEW:



CEILING INSTALLATION: Installation views shown are typical and representative of installations through ceilings, where cables are already present. These installations require a permanently installed slotted channel (shown), track or other framing member and applicable attachment hardware. These items are required but not supplied.

WALL INSTALLATION: (NOT SHOWN) For installation along walls, the ceiling bracket (ITEM 3) must be rigidly mounted directly to the wall or wall framing members. Applicable wall attachment hardware is required but not supplied.

NOTE: Consult project or structural engineer for suitability of the design prior to installation.



Technical Service 1-800-992-1180
www.stifirestop.com

Specified Technologies Inc. • Product Data Sheet
EZ-Path® Smoke & Acoustical Pathway • ZSF0D5326 1427



Smoke & Acoustical Pathway with Ceiling Kit

▼ CABLE INSTALLATION

Cables may easily be added or removed at any time without removing or reinstalling the smoke and acoustical seal. Cables may be added individually or in bundles. Wrapping ends with a low-friction tape facilitates cable insertion. A self-adjusting cable throat automatically adjusts to accommodate the cable bundle as it passes through the pathway.

▼ AVAILABILITY

See Ordering Information below. EZ-Path® Smoke & Acoustical Pathway Products are available from designated authorized STI distributors. Consult the factory or visit the web site (www.stifirestop.com) for the names and locations of the nearest sales representatives or distributors.

▼ WARRANTY

Important Notice: All statements, technical information, and recommendations contained herein are based upon testing believed to be reliable, but the accuracy and completeness thereof is not guaranteed.

LIMITED WARRANTY: STI warrants that its products will be free of defects for one year from the date of purchase. In the event a product does not conform to this warranty, the sole and exclusive remedy is, at STI's option, replacement of the product or refund of the purchase price. The warranty provided herein shall be void and of no effect in the event that the product is not installed in accordance with STI's published instructions, listed systems and applicable building and safety codes. THIS WARRANTY IS IN LIEU OF ALL OTHER REPRESENTATIONS AND EXPRESSED OR IMPLIED WARRANTIES (including the implied warranties of merchantability or fitness for a particular use) AND UNDER NO CIRCUMSTANCES SHALL STI BE LIABLE FOR ANY DIRECT, INDIRECT, SPECIAL, INCIDENTAL OR CONSEQUENTIAL DAMAGES OR LOSSES, INCLUDING, WITHOUT LIMITATION, ANY LOSS OF REVENUE, PROFIT OR USE. Prior to use, the user shall determine the suitability of the product for its intended use, and the user assumes all risks and liability for subsequent use. No person other than an officer of STI is authorized to bind STI to any other warranty for any product for which this warranty is issued.

MADE IN THE USA - © 2017 SPECIFIED TECHNOLOGIES INC.

▼ ORDERING INFORMATION

UPC# 730573	Cat. No.	Description	Qty.	Case Qty.	Weight (Ea.)
11168	NEZ33CK2	EZ Path Smoke and Acoustical Pathway with Ceiling Kit	1	1	1.92 lbs (0.87 kg)

▼ MAINTENANCE

No maintenance of the pathway is normally required. The interior of the device should be inspected before and after any modifications to the cable bundle.

▼ TECHNICAL SERVICE

Technical information including Product Data Sheets, Installation Instructions, Certificates of Conformance, and suggested specifications are available at the company's web site (www.stifirestop.com). For all other information, contact the manufacturer directly by dialing (800) 992-1180.

▼ PRECAUTIONARY INFORMATION

The use of this device is subject to local, regional and national codes. Consult the local Building Code Official or Authority Having Jurisdiction regarding any regional or local requirements that might influence the selection or use of this product. Note: For use in non-rated construction only.



Specified Technologies Inc. • Somerville, NJ 08876 USA • US Toll Free: (800) 992-1180 • Outside US: + 1 908 526 8000 • www.stifirestop.com



Technical Service 1-800-992-1180
www.stifirestop.com

Specified Technologies Inc. • Product Data Sheet
EZ-Path® Smoke & Acoustical Pathway • ZSF0D5326 1427