

EZDR200 + EZDR400

▼ **PRODUCT DESCRIPTION**

The EZ-Path® Retrofit Device is designed to restore the ratings for overfilled cable sleeve penetrations. The device features a built-in fire and smoke sealing system that can attach either to the sleeve or the barrier surface.

The EZ-Path® Retrofit Device consists of a heavy gauge galvanized steel housing containing intumescent materials that expand rapidly when exposed to fire or high temperatures to close off the void area. Its unique two-piece design quickly installs around cable bundles and extended sleeves and can even accommodate standard conduit bushings. The square device shape allows cable exit or entry from multiple directions.

▼ **APPLICATIONS**

EZ-Path® Retrofit Device restores non-compliant overfilled sleeve conditions in walls and floors. Cable capacity ranges from 50 to 100% visual fill. The two-piece split device facilitates installation around existing cable bundles. The steel backplate attaches directly to the end of the steel sleeve. For flush-mounted sleeves, mounting tabs allow for attachment to the substrate.

EZ-Path® Retrofit Devices are sized for 2" (2.197" to 2.375" or 56mm to 60mm OD) and 4" (4.500" or 114 mm) trade size EMT or rigid steel conduit sleeves or stubs. No additional putty or sealant is required. Existing putty or sealant may be left in place.

▼ **FEATURES & BENEFITS**

- **Easy to install.**
- **No Additional firestopping required.**
- **Sized for 2" (2.197" to 2.375" or 56mm to 60mm OD) and 4" (4.500" or 114 mm) trade size EMT or rigid steel conduit sleeves or stubs**
- **50%-100% cable fill**
- **Works with extended or flush sleeves**
- **Bring overfilled sleeves back into code compliance!**

▼ **PHYSICAL PROPERTIES**

<b>Shell Composition</b>	0.059" (1.5 mm) Thick Galvanized Steel
<b>Fire Ratings</b>	1 or 2 Hours
<b>Expansion Begins</b>	250°F (121°C)
<b>Allowable Cable Fill</b>	50 - 100%
<b>Wall Area Required (ft²/ Device)</b>	0.167 ft² (155 cm²)
<b>In-Service Temp.</b>	Less than 130°F (54°C)
<b>Shelf Life</b>	No Limit

▼ **PERFORMANCE**

EZ-Path® Retrofit Device is UL Certified in accordance with ASTM E814 (UL 1479 and CAN/ULC-S115). Systems are available for common floor and wall construction with ratings up to and including 2 Hr.

L Ratings range from <1 to 10.7 CFM dependent upon cable types, sizes, and configurations. Refer to UL System for more details.



**EZ-Path® Retrofit Device**  
 CERTIFIED FOR USE IN THROUGH PENETRATION FIRESTOP SYSTEMS. SEE UL ONLINE CERTIFICATIONS DIRECTORY.

▼ **SPECIFICATIONS**

All new data comm cable penetrations shall be routed through factory-supplied, maintenance-free, fire-rated pathway devices (Ex. EZ-Path® Fire Rated Pathways). For existing sleeves where cable fill percentage exceeds listed system specifications, a factory-supplied, fire-rated retrofit device shall be installed. The device shall be a two-piece split design with intumescent materials and allow 50 to 100 percent visual fill. The device shall be UL Certified and tested to ASTM E814 (UL1479) and CAN/ULC-S115. The device shall be EZ-Path® Retrofit Device.

**Specified Divisions**

- Div. 7 07 84 00 Penetration Firestopping
- Div. 26 26 00 00 Electrical
- Div. 27 27 00 00 Communications

▼ **MAINTENANCE**

No maintenance of the device is normally required.

▼ **TECHNICAL SERVICE**

Technical information including Product Data Sheets, Installation Instructions, applicable UL Classified Systems, Certificates of Conformance, and suggested specifications are available at the company's website ([www.stifirestop.com](http://www.stifirestop.com)). For all other information, contact the manufacturer directly by dialing (800) 992-1180.

▼ **PRECAUTIONARY INFORMATION**

The use of this device is subject to local, regional and national codes. Consult the local Building Code Official or Authority Having Jurisdiction regarding any regional or local requirements that might influence the selection or use of the product.

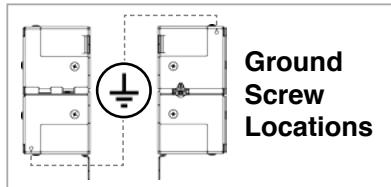
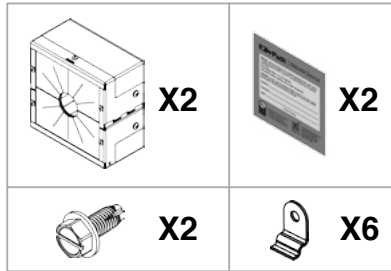




EZ-PATH® RETROFIT DEVICE (EZDR200 & EZDR400)

▼ INSTALLATION INSTRUCTIONS

What is Included

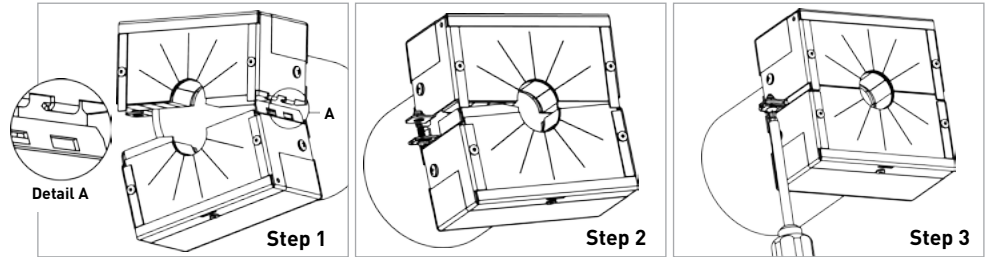


The EZ-Path® Retrofit Device is designed to bring overfilled cable sleeve penetrations into code compliance. The device features a built-in fire and smoke sealing system that installs over the end of conduit sleeves and stubs restoring deficient fire and smoke seals without the need for additional firestopping products. See included installation instruction for more detail.

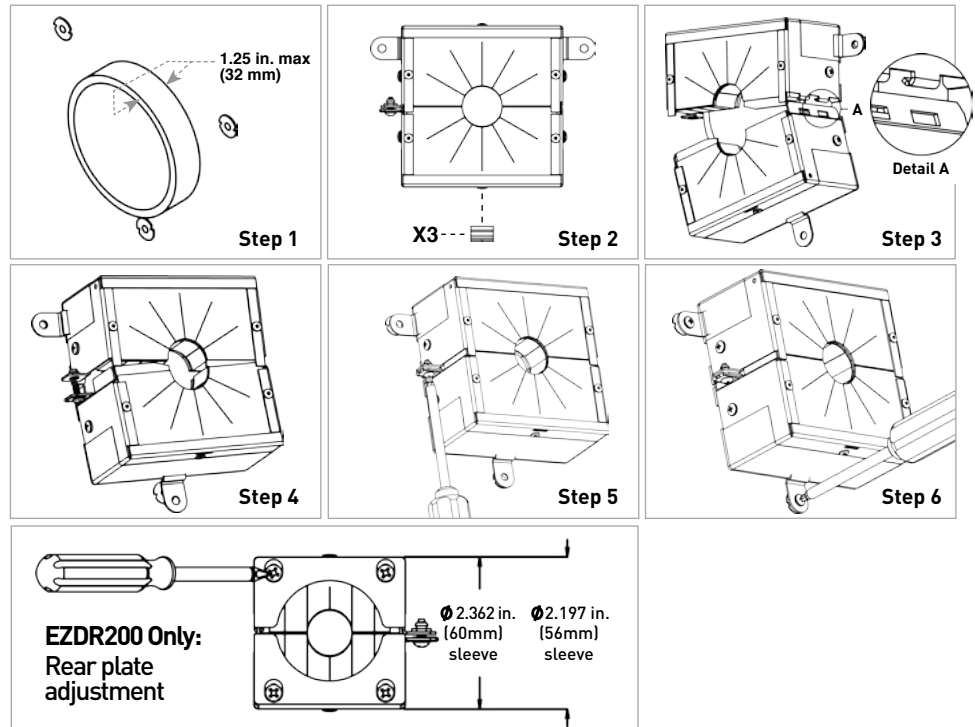
Note: Cables are deliberately not shown in any of the images to clarify device installation. However, a visual cable loading of 50 to 100% is required. For cable types and sizes, refer to applicable UL Certified Systems.

For fastener types, consult the latest UL® fire resistance directory for permissible types and sizes.

Sleeve Installation



Wall Installation



**EZDR200 Only:**  
Rear plate adjustment

▼ AVAILABILITY

EZ-Path® Products are available from designated authorized STI distributors. Consult the factory or visit the website ([www.stifirestop.com](http://www.stifirestop.com)) for the names and locations of the nearest representative or distributors.

▼ ORDERING INFORMATION

UPC# 730573	Cat. No.	Description	Qty.	Case Qty.	Weight (Ea.)
00200	EZDR200	EZ-Path® Retrofit Device for 2" (2-3/16" or 2-3/8" O.D.) Sleeves, One Pair (2)	1 Pair	4	0.90 lbs (0.41 kg)
00400	EZDR400	EZ-Path® Retrofit Device for 4" (4-1/2" O.D.) Sleeves, One Pair (2)	1 Pair	4	1.22 lbs (0.55 kg)
00201	EZPR150	1.5" Plate Kit for EZDR200	1 Pair	1	0.75 lbs (0.34 kg)
00401	EZPR300	3" Plate Kit for EZDR400	1 Pair	1	1.25 lbs (0.57 kg)

IMPORTANT NOTICE: All statements, technical information, and recommendations contained herein are based upon testing believed to be reliable, but the accuracy and completeness thereof is not guaranteed.

LIMITED WARRANTY: STI warrants that its products will be free of defects for one year from the date of purchase. In the event a product does not conform to this warranty, the sole and exclusive remedy is, at STI's option, replacement of the product or refund of the purchase price. The warranty provided herein shall be void and of no effect in the event that the product is not installed in accordance with STI's published instructions, listed systems and applicable building and safety codes. THIS WARRANTY IS IN LIEU OF ALL OTHER REPRESENTATIONS AND EXPRESSED OR IMPLIED WARRANTIES (including the implied warranties of merchantability or fitness for a particular use) AND UNDER NO CIRCUMSTANCES SHALL STI BE LIABLE FOR ANY DIRECT, INDIRECT, SPECIAL, INCIDENTAL OR CONSEQUENTIAL DAMAGES OR LOSSES, INCLUDING, WITHOUT LIMITATION, ANY LOSS OF REVENUE, PROFIT OR USE. Prior to use, the user shall determine the suitability of the product for its intended use, and the user assumes all risks and liability for subsequent use. No person other than an officer of STI is authorized to bind STI to any other warranty for any product for which this warranty is issued.

MADE IN THE USA – © 2017 SPECIFIED TECHNOLOGIES INC.

**Specified Technologies Inc.**  
Somerville NJ 08876  
Phone: 800.992.1180  
Fax: 908.526.9623



Technical Service 1-800-992-1180  
[www.stifirestop.com](http://www.stifirestop.com)

Specified Technologies Inc. • Product Data Sheet  
EZ-Path® Retrofit Device • ZSFOD5321 1917