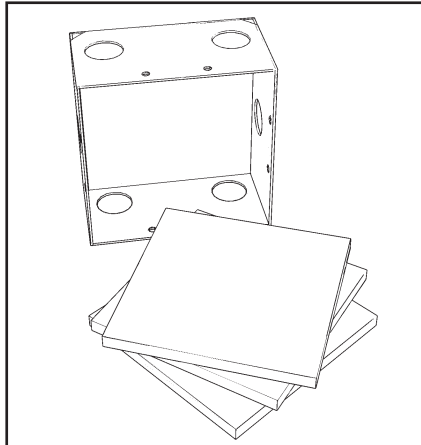


APPLICATIONS

SpecSeal® Power Shield electrical box inserts are used to protect an electrical box and maintain fire-resistance ratings of wall assemblies, when the horizontal separation between metallic boxes on opposite sides of the wall is less than 24" (610 mm).



PRODUCT DESCRIPTION

SpecSeal® Power Shield electrical box insert is a one-component pad for use in electrical switch or receptacle boxes. The intumescent insert has been designed to install inside the box, directly against the back wall. SpecSeal® Power Shield electrical box inserts expands a minimum 24 times its original size when exposed to high temperatures or flames.

Requiring no tools, SpecSeal® Power Shield electrical box inserts are conveniently sized to fit typical switch or outlet boxes and features an adhesive strip applied to the back of the pad to ensure adhesion to the back of an electrical box. SpecSeal® Power Shield electrical box inserts are easily applied into an existing box with no mess or residue.

FEATURE	BENEFIT
• Easy to Install	In the field or in the shop.
• No Mess, No Residue	No clean-up required.
• Rapid Expansion	Quickly seals off the passage of fire and smoke.
• High Volume Char	Minimum to 24X!
• Water Resistant	No soluble or hygroscopic ingredients.
• Conveniently Sized	Fits common switch and receptacle boxes.
• Non-Conductive	Safe for use inside box.
• Easy Retrofit	Can be used for boxes installed in existing walls.
• Low Profile	Maximizes area inside box.
• Labor Savings	Installs before or after wallboard installation.

PERFORMANCE

SpecSeal® Power Shield electrical box inserts are the basis for systems that meet the exacting criteria of UL263 (ASTM E119, NFPA 251) and are Classified for up to 2 hrs as a Wall Opening Protective Material (Category CLIV) for use with metallic outlet or switch boxes installed in gypsum wallboard wall assemblies. Boxes protected with SpecSeal® Power Shield electrical box inserts have been successfully tested on steel studs with the box spacing reduced to less than 24 in. (610 mm). The pads are not tested nor approved for boxes installed directly back-to-back.

	SpecSeal® PowerShield® Box Inserts Wall-opening Protective Material CERTIFIED AS TO FIRE RESISTANCE SEE UL ONLINE CERTIFICATIONS DIRECTORY.	
--	--	--

PHYSICAL PROPERTIES

Properties	Electrical Box Inserts
Catalog No. & Dimensions:	EP44-(3-3/4" x 3-3/4" x 1/8") (95 x 95 x 3 mm) EP45-(4-1/2" x 4-1/2" x 1/8") (114 x 114 x 3 mm) EP45-(4-7/8" x 4-7/8" x 1/8") (124 x 124 x 3 mm)
Color:	RED
Weight:	EP44 - 0.08 lb. (0.036 kg) EP45 - 0.10 lb. (0.045 kg) EP55 - 0.15 lb. (0.068 kg)
Volume:	EP44-(1.75 cu in., 28.8 cu cm.) EP45-(2.50 cu in., 41.0 cu cm.) EP55-(2.97 cu in., 49.2 cu cm.)

Properties	Electrical Box Inserts
Expansion Begins:	350°F (177°C)
Expansion Range:	350°F to >1,000°F (177°C - 537°C)
Volume Expansion:	16 to 24X (free expansion)
In Service Temperature:	<130°F (54°C)
Oven Aging:	No Change (60°C)*
Humidity Exposure:	No Change (60°C, 98% R.H.)*
Shelf Life:	No Limit
STC Rating:	64 (Relates to specific construction) (ASTM E 90-04)

*Evaluation of physical properties and total expansion.



SPECIFICATIONS

The firestopping insert pad shall be a one-part intumescent material requiring no tools or curing time. The pad, when exposed to high temperatures or flames, shall provide a minimum of 24X free expansion and shall contain no water-soluble expansion ingredients. The insert pad shall be UL Classified and tested to the requirements of UL263.

SPECIFIED DIVISIONS

DIV.	7	07 84 00	Firestopping
DIV.	26	26 00 00	Electrical
DIV.	27	27 00 00	Communications

INSTALLATION INSTRUCTIONS

GENERAL: Areas to be protected must be clean and free of oil, loose dirt, rust or scale. Installation, storage and in-service temperatures must be below 130° F (54° C). No drying or curing is required.

SYSTEM SELECTION: Please consult the STI Product and Application Guide as well as the UL Fire Resistance Directory Volume 1 for more information regarding installation of SpecSeal® Power Shield electrical box insert.

INSTALLATION INSTRUCTIONS: Remove protective liner from adhesive tape on back of pad. Align edge of pad to top of box and center pad. Press pad firmly against back inside wall of electrical box. Hold insert in place for 30 seconds. **Note:** Once in place, insert is not repositionable without damaging the adhesive. After installation of the insert, install switch or outlet. Installation of SpecSeal® Power Shield electrical box insert must comply with the National Electrical Code (NFPA No. 70). To allow access to the ground screw, the pad may be slit from one edge. Do not remove material from the pad. The use of SpecSeal® Power Shield electrical box insert reduces available volume within box. Refer to PHYSICAL PROPERTIES for volumetric dimensions of inserts.

MAINTENANCE

Inspection: Installations should be inspected periodically for subsequent damage. Any damaged inserts should be replaced using SpecSeal® products per the original approved design.

TECHNICAL SERVICE

Specified Technologies Inc. Provides toll free technical support to assist in product selection and appropriate installation design. UL Systems, Material Safety Data Sheets and other technical information is available at the Technical Library at www.stifirestop.com.

PRECAUTIONARY INFORMATION

Consult Material Safety Data Sheet for additional information on the safe handling and disposal of this material. Wash areas of skin contact with soap and water. Avoid contact with eyes.

AVAILABILITY

SpecSeal® PowerShield electrical box inserts are available from authorized distributors worldwide. Consult factory for names and locations of the nearest sales representatives or distributors.

UPC	Catalog Number	Description	Qty	Case Qty	Weight (Each)
02500	EP44	PowerShield® Electrical Box Insert - 3.75" x 3.75" x 1/8" (95 mm x 95 mm x 3 mm)	1	20	0.09 lbs (0.04 kg)
02501	EP44-Bulk	PowerShield® Electrical Box Insert - 3.75" x 3.75" x 1/8" (95 mm x 95 mm x 3 mm) Bulk	N/A	600	0.09 lbs (0.04 kg)
02505	EP45	PowerShield® Electrical Box Insert - 4.5" x 4.5" x 1/8" (114 mm x 114 mm x 3 mm)	1	20	0.10 lbs (0.045 kg)
02506	EP45-Bulk	PowerShield® Electrical Box Insert - 4.5" x 4.5" x 1/8" (114 mm x 114 mm x 3 mm) Bulk	N/A	450	0.10 lbs (0.045 kg)
02555	EP55	PowerShield® Electrical Box Insert - 4.75" x 4.75" x 1/8" (121 mm x 121 mm x 3 mm)	N/A	250	0.13 lbs (0.06 kg)

IMPORTANT NOTICE: ALL STATEMENTS, TECHNICAL INFORMATION, AND RECOMMENDATIONS CONTAINED HEREIN ARE BASED UPON TESTING BELIEVED TO BE RELIABLE, BUT THE ACCURACY AND COMPLETENESS THEREOF IS NOT GUARANTEED.

LIMITED WARRANTY: STI TYPICALLY WARRANTS ITS PRODUCTS FOR ONE FULL YEAR. FOR COMPLETE DETAILS OF OUR STANDARD WARRANTY, PLEASE VISIT WWW.STIFIRESTOP.COM/LEGAL/WARRANTY

MADE IN THE USA – COPYRIGHT © 2018 SPECIFIED TECHNOLOGIES INC.



FIRESTOP
SPECIFIED TECHNOLOGIES INC.

Somerville, NJ 08876 • Toll Free: 800-992-1180 • F: 908.526.9623



MEMBER

