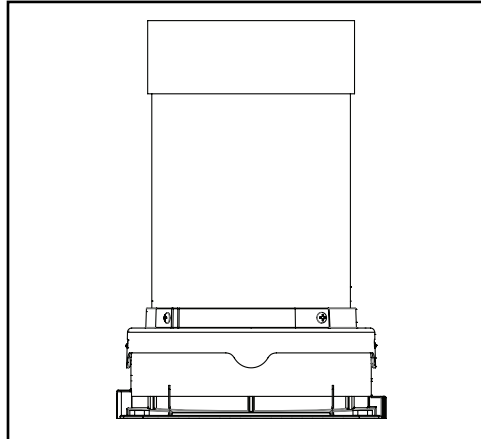




CAST IN FIRESTOP DEVICE

APPLICATIONS


SpecSeal® Cast-In Firestop Devices are engineered for use in concrete floors to form firestopped openings for various through penetrating items including plastic or metal pipes, cables, and insulated pipes.




PRODUCT DESCRIPTION

SpecSeal® Cast-In Firestop Devices consist of molded plastic sleeves incorporating an intumescent firestopping system and flexible smoke and water resistant seal. The molded plastic body can be easily cut as required to accommodate concrete thickness even in as little as 2-1/2 in. (64 mm) of concrete. The 2, 3, 4 and 6 in. (51, 76, 102 and 152 mm) devices are sized to accommodate pipes ranging from 1-1/2 to 6 in. (38 to 152 mm) trade sizes. The 2, 3 and 4 in. devices are sold in four different heights, 8 in. (203mm), 10 in. (254mm), 20 in. (508 mm) and 36 in. (914 mm) to cover a large range of concrete thicknesses. The 6 in. (152 mm) device is 8 in. (203 mm) high and requires extension tubes (Cat No.: CD600X) to lengthen the device for situations where the floor thickness is greater than 8 in. (203 mm).

Accessories are available to adapt SpecSeal® Cast-In Firestop Devices to other uses. Available accessories include a steel deck kit to facilitate installation in fluted metal deck as well as tub box and aerator adaptor.



SpecSeal® Cast In Firestop Device
CERTIFIED FOR USE IN THROUGH-PENETRATION
FIRESTOP SYSTEMS. SEE UL ONLINE
CERTIFICATIONS DIRECTORY.



FEATURES	
•	The 2, 3 & 4 in. sizes are MADE in USA
•	Saves money by eliminating core drilling
•	Saves time - No firestopping step required
•	Visible yellow tube for added job site safety
•	Provides pre-installed fire and smoke seal
•	Provides added protection against transient water
•	Adapts to a wide variety of construction conditions
•	Pipes can be installed from top or bottom
•	*Four heights for a greater range of concrete depth
•	Environmentally friendly
•	*CAN/ULC- S115 classified* See ordering information
•	Factory-metered dose of intumescence; eliminates guess work
*2", 3" and 4" devices only tested with a pressure differential of 50 Pa.	

PERFORMANCE		
SpecSeal® Cast-In Firestop Devices have been successfully tested in accordance with ASTM E814 (ANSI/UL1479) and *CAN/ULC-S115 in one, two, and three hour fire-rated floor assemblies. Consult factory for individual system designs and application requirements.		
*2", 3" and 4" devices only tested to a pressure differential of 50 Pa.		
SPECIFIED DIVISIONS		
Division	Section	Title
3	03 11 00	Concrete Forming
3	03 30 00	Cast-in-Place Concrete
7	07 84 00	Firestopping

PHYSICAL PROPERTIES

Table A:

PROPERTIES	CAST-IN FIRESTOP DEVICE
Shell Construction:	Polypropylene
Tube and Cap Construction:	Polyethylene
Expansion Begins:	320° F (160° C)
Volume Expansion:	250X (free expansion)
In Service Temperature:	Max. 130° F (54° C)
Shelf Life	None

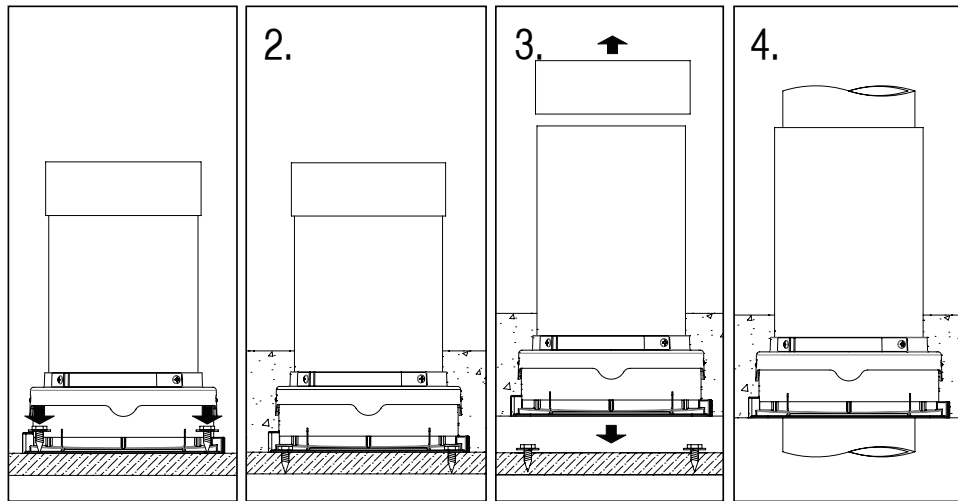
Table B:

DIMENSIONS				
Trade Size Pipe in. (mm)	Device Footprint in. (mm)	Deck Plate Footprint in. (mm)	Nom. Steel Deck Opening Size in. (mm)	Height in. (mm)
1-1/2 (38) - 2 (51)	4 x 4 (101 x 101)	4 x 10-3/8 (101 x 264)	3-5/8 (93)	8, 10, 20 or 36 (203, 254, 508 or 914)
3 (76)	5-3/4 x 5-3/4 (146 x 146)	5-3/4 x 11 (146 x 280)	4-1/4 (108)	8, 10, 20 or 36 (203, 254, 508 or 914)
4 (102)	6-3/4 x 6-3/4 (172 x 172)	6-3/4 x 12 (172 x 305)	5-1/4 (134)	8, 10, 20 or 36 (203, 254, 508 or 914)
6 (152)	9 x 9 (229 x 229)	9 x 15 (229 x 381)	7-1/4 (184)	8 (203)



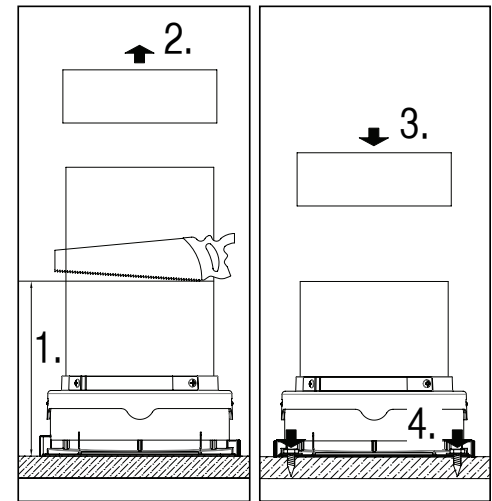
INSTALLATION INSTRUCTIONS

The following steps represent a typical installation for SpecSeal® Cast-In Firestop Devices. See Table B for physical dimensions. Consult installation instructions for more specific information.



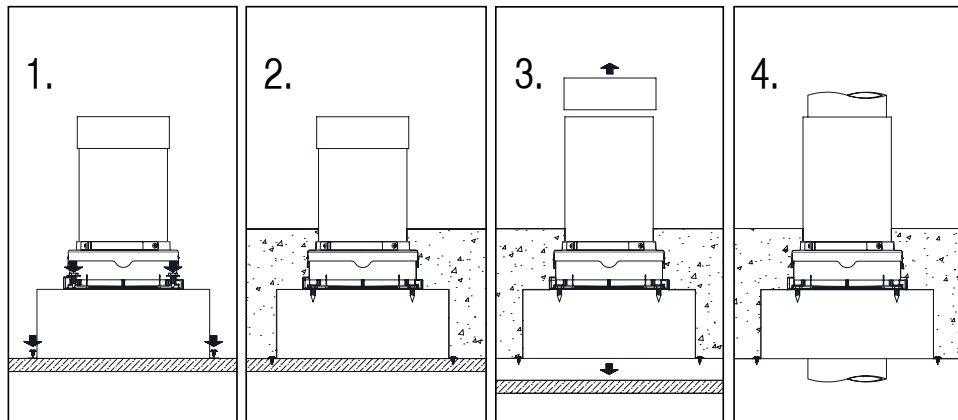
OPTIONAL INSTALLATION INSTRUCTIONS

SpecSeal® Cast-In Firestop Device may be cut to slab thickness prior to installation



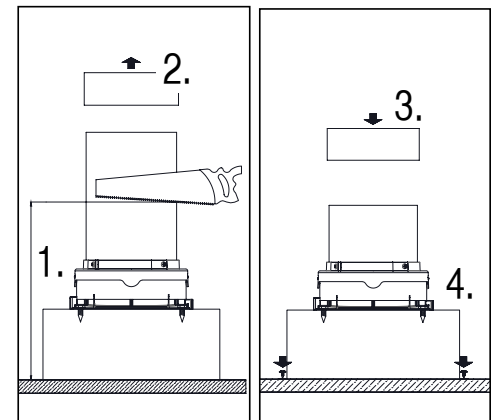
INSTALLATION INSTRUCTIONS FOR 3" & 4" CAST-IN DEVICES W/AERATOR BOX

The following steps represent a typical installation for SpecSeal® Cast-In Firestop Devices. See Table B for physical dimensions. Consult installation instructions for more specific information.



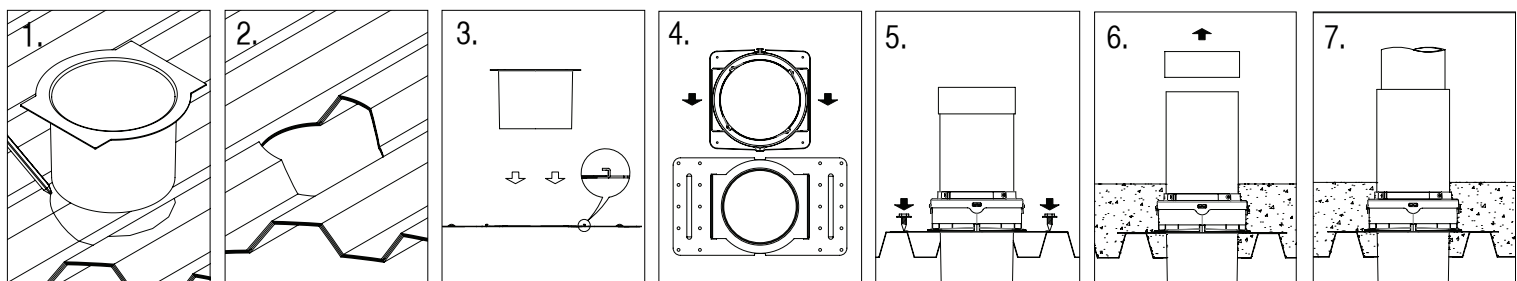
OPTIONAL INSTALLATION INSTRUCTIONS

Optional Steps For Trimming Device Height



CONCRETE OVER STEEL DECK

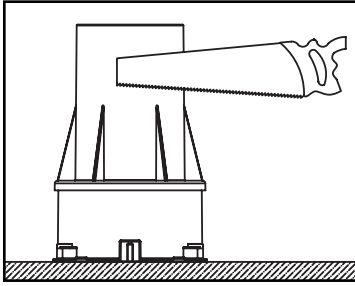
Use appropriate SpecSeal® Cast-In Firestop Device (see table above) with listed accessory per instructions included with products.



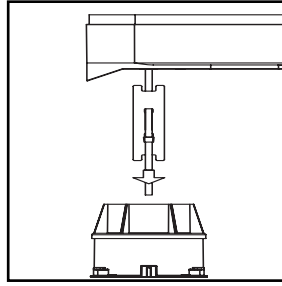
NOT INTENDED FOR WALL APPLICATIONS

TUB BOX INSTALLATION

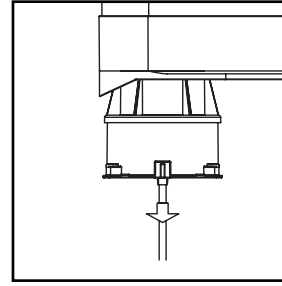
The following steps represent a typical installation for SpecSeal® Cast-In Firestop Devices. See Table B for physical dimensions. Consult installation instructions for more specific information.



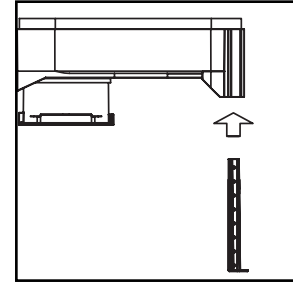
Cut firestop device sleeve as required to position top of tub box pan flush with concrete pour. Overall height of tub box assembly is 11 in. (279 mm). Subtracting concrete pour thickness determines amount of sleeve to be removed. Example, 6 in. (152 mm) concrete floor requires installer to cut 5 in. (127 mm) off top of sleeve.



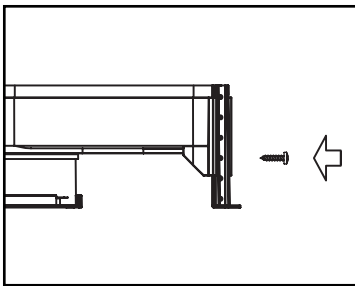
Position tub box atop firestop device sleeve and insert zip tie/holding bar through center of firestop device. Remove the tape to position bar horizontally.



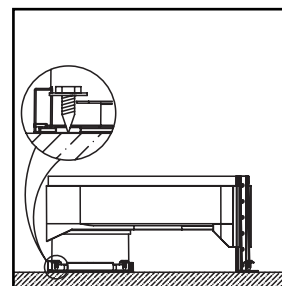
Align top of device with round flange on bottom of tub box pan. Pull zip tie tight until device and tub box pan firmly lock together.



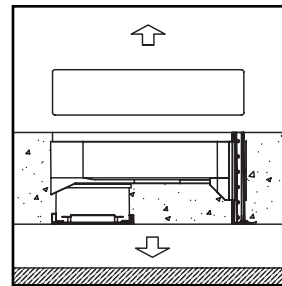
Slide legs into position on tub box pan and adjust to height of pour.



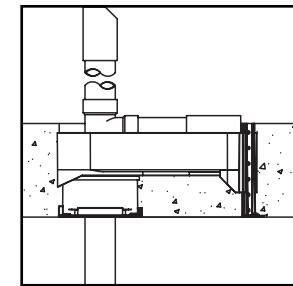
Secure legs in position by driving two steel screws through bottom most holes lining up with tub box pan. When legs project above tub box pan, trim flush if desired.



Fasten completed tub box assembly to floor deck using nails or screws (not provided) and pour concrete.



Remove foam insert and form boards.



Install tub drain/overflow assembly piping (plastic or brass) with associated branch and p-trap piping as required.

SPECIFICATIONS

The firestop system shall be a single component, molded plastic sleeve supplied with a fully encapsulated, tamper-proof integral firestop system and smoke sealing gasket. The device shall be installed in accordance with the manufacturer's written instructions. The device shall also be classified by Underwriters Laboratories Inc. (UL) as a through-penetration firestop device when tested to ASTM E814 (ANSI/UL1479) or CAN/ULC-S115 for up to a 3 hr rating.

MAINTENANCE

Installations should be inspected periodically for subsequent damage. Any damage should be repaired using SpecSeal® products.

TECHNICAL SERVICE

Specified Technologies Inc. provides toll free technical support to assist in product selection and appropriate installation design. UL Systems, Material Safety Data Sheets and other technical information is available at the Technical Library at www.stifirestop.com.

PRECAUTIONARY INFORMATION

No unusual hazards are known or expected. Observe normal safety procedures during installation.



AVAILABILITY

SpecSeal® Cast-In Firestop Devices are available from authorized STI distributors worldwide. Visit www.stifirestop.com or call 800.992.1180 for information concerning where to purchase these and other STI products.

UPC# 730573	CAT NO.	DESCRIPTION	QTY.	CASE QTY.	WEIGHT (EACH)
Devices For Combustible And Noncombustible Penetrants					
34206	CD201	1.5 in. (38 mm) - 2 in. (51 mm) Trade Size Cast-In Firestop Device - For Maximum 10 in. (254 mm) Thick Concrete	1	12	0.55 lbs (0.25 kg)
34219	CD20108	1.5 in. (38 mm) - 2 in. (51 mm) Trade Size Cast-In Firestop Device - For Maximum 8 in. (203 mm) Thick Concrete	1	12	0.53 lbs (0.24 kg)
34207	CD202	1.5 in. (38 mm) - 2 in. (51 mm) Trade Size Cast-In Firestop Device - For Maximum 20 in. (508 mm) Thick Concrete	1	6	0.82 lbs (0.37 kg)
34223	CD203	1.5 in. (38 mm) - 2 in. (51 mm) Trade Size Cast-In Firestop Device - For Maximum 36 in. (914 mm) Thick Concrete	1	6	1.29 lbs (0.59 kg)
34307	CD301	3 in. (76 mm) Trade Size Cast-In Firestop Device - For Maximum 10 in. (254 mm) Thick Concrete	1	12	1.05 lbs (0.48 kg)
34320	CD30108	3 in. (76 mm) Trade Size Cast-In Firestop Device - For Maximum 8 in. (203 mm) Thick Concrete	1	12	0.98 lbs (0.44 kg)
34308	CD302	3 in. (76 mm) Trade Size Cast-In Firestop Device - For Maximum 20 in. (508 mm) Thick Concrete	1	6	1.37 lbs (0.62 kg)
34324	CD303	3 in. (76 mm) Trade Size Cast-In Firestop Device - For Maximum 36 in. (914 mm) Thick Concrete	1	6	2.04 lbs (0.93 kg)
34408	CD401	4 in. (102 mm) Trade Size Cast-In Firestop Device - For Maximum 10 in. (254 mm) Thick Concrete	1	12	1.62 lbs (0.73 kg)
34419	CD40108	4 in. (102 mm) Trade Size Cast-In Firestop Device - For Maximum 8 in. (203 mm) Thick Concrete	1	12	1.52 lbs (0.69 kg)
34409	CD402	4 in. (102 mm) Trade Size Cast-In Firestop Device - For Maximum 20 in. (508 mm) Thick Concrete	1	6	2.21 lbs (1.00 kg)
34423	CD403	4 in. (102 mm) Trade Size Cast-In Firestop Device - For Maximum 36 in. (914 mm) Thick Concrete	1	6	3.10 lbs (1.41 kg)
34600	CD600	6 in. (152 mm) Trade Size Cast-In Firestop Device - For Maximum 8 in. (203 mm) Thick Concrete	1	6	2.23 lbs (1.01 kg)
Devices for Combustible and Noncombustible Penetrants - Canada (To Meet CAN/ULC-S115)					
34213	CD201C	1.5 in. (38 mm) - 2 in. (51 mm) Trade Size Cast-In Firestop Device For Canada - For Maximum 10 in. (254 mm) Thick Concrete	1	12	0.62 lbs (0.28 kg)
34234	CD202C	1.5 in. (38 mm) - 2 in. (51 mm) Trade Size Cast-In Firestop Device For Canada - For Maximum 20 in. (508 mm) Thick Concrete	1	6	0.88 lbs (0.40 kg)
34235	CD203C	1.5 in. (38 mm) - 2 in. (51 mm) Trade Size Cast-In Firestop Device For Canada - For Maximum 36 in. (914 mm) Thick Concrete	1	6	1.36 lbs (0.62 kg)
34313	CD301C	3 in. (76 mm) Trade Size Cast-In Firestop Device For Canada - For Maximum 10 in. (254 mm) Thick Concrete	1	12	1.13 lbs (0.51 kg)
34337	CD302C	3 in. (76 mm) Trade Size Cast-In Firestop Device For Canada - For Maximum 20 in. (508 mm) Thick Concrete	1	6	1.49 lbs (0.68 kg)
34338	CD303C	3 in. (76 mm) Trade Size Cast-In Firestop Device For Canada - For Maximum 36 in. (914 mm) Thick Concrete	1	6	2.15 lbs (0.98 kg)
34408	CD401	4 in. (102 mm) Trade Size Cast-In Firestop Device - For Maximum 10 in. (254 mm) Thick Concrete (Also for Canada)	1	12	1.62 lbs (0.73 kg)
34419	CD40108	4 in. (102 mm) Trade Size Cast-In Firestop Device - For Maximum 8 in. (203 mm) Thick Concrete	1	12	1.52 lbs (0.69 kg)
34409	CD402	4 in. (102 mm) Trade Size Cast-In Firestop Device - For Maximum 20 in. (508 mm) Thick Concrete	1	6	2.21 lbs (1.00 kg)
34423	CD403	4 in. (102 mm) Trade Size Cast-In Firestop Device - For Maximum 36 in. (914 mm) Thick Concrete	1	6	3.10 lbs (1.41 kg)
Extension Tubes					
34602	CD600X	6 in. (152 mm) Trade Size Extension Tube	1	6	0.34 lbs (0.15 kg)
Deck Adapter Kits					
34208	CD201DK	1.5 in. (38 mm) - 2 in. (51 mm) Trade Size Cast-In Deck Adapter Kit	1	6	0.48 lbs (0.21 kg)
34309	CD301DK	3 in. (76 mm) Trade Size Cast-In Deck Adapter Kit	1	6	0.54 lbs (0.25 kg)
34410	CD401DK	4 in. (102 mm) Trade Size Cast-In Deck Adapter Kit	1	6	0.67 lbs (0.30 kg)
34603	CD600DK	6 in. (152 mm) Trade Size Cast-In Deck Adapter Kit	1	6	1.90 lbs (0.86 kg)
Tub Box Kit					
34204	CD200T	1.5 in. (38 mm) - 2 in. (51 mm) Trade Size Tub Box Kit	1	1	1.72 lbs (0.78 kg)
Aerator Adapter Kit					
34305	CD300A	3 in. (76 mm) Cast In Device Aerator Adapter	1	6	1.40 lbs (0.64 kg)
34405	CD400A	4 in. (102 mm) Cast In Device Aerator Adapter	1	6	1.20 lbs (0.54 kg)

LIMITED WARRANTY: STI warrants that its products will be free of defects for one year from the date of purchase. In the event a product does not conform to this warranty, the sole and exclusive remedy is, at STI's option, replacement of the product or refund of the purchase price. The warranty provided herein shall be void and of no effect in the event that the product is not installed in accordance with STI's published instructions, listed systems and applicable building and safety codes. THIS WARRANTY IS IN LIEU OF ALL OTHER REPRESENTATIONS AND EXPRESSED OR IMPLIED WARRANTIES (including the implied warranties of merchantability or fitness for a particular use) AND UNDER NO CIRCUMSTANCES SHALL STI BE LIABLE FOR ANY DIRECT, INDIRECT, SPECIAL, INCIDENTAL OR CONSEQUENTIAL DAMAGES OR LOSSES, INCLUDING, WITHOUT LIMITATION, ANY LOSS OF REVENUE, PROFIT OR USE. Prior to use, the user shall determine the suitability of the product for its intended use, and the user assumes all risks and liability for subsequent use. No person other than an officer of STI is authorized to bind STI to any other warranty for any product for which this warranty is issued.

MADE IN THE USA - COPYRIGHT © 2017 SPECIFIED TECHNOLOGIES INC.

STI is a member of the following organizations:



Somerville, NJ 08876 | Toll Free: 800-992-1180 | F: 908.526.9623

