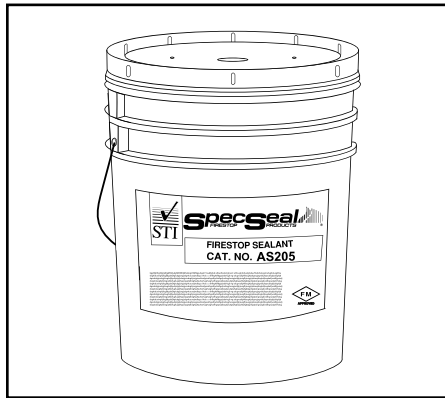




SERIES AS200 ELASTOMERIC SPRAY

APPLICATIONS

SpecSeal® Elastomeric Spray is designed primarily for the protection of construction joints, curtain wall safing gaps, and certain through-penetrations.



PRODUCT DESCRIPTION

SpecSeal® Series AS200 Elastomeric Spray is a non-halogenated latex-based, highly elastomeric coating designed to provide passive smoke and fire protection in construction joints.

SpecSeal® Series AS200 Elastomeric Spray is engineered to adhere to virtually all construction surfaces and may be applied using airless spray equipment or with a brush (ideally for, but not limited to, small applications or touch ups).

SpecSeal® Series AS200 Elastomeric Spray dries to form a flexible shield against the propagation of fire. Its premium latex binder system is totally resistant to water and will not re-emulsify after drying. SpecSeal® Series AS200 Elastomeric Spray contains no inorganic fibers, asbestos, solvents.

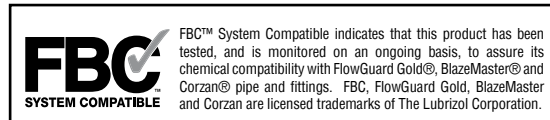
FEATURES

- **Water-Based** for easy installation and cleanup
- **Non-halogenated.**
- **Thixotropic** for high-build application.
- **Auto Bonding.**
- **Safe...no solvents! No asbestos!**
- **Flexible!**
- **Water Resistant!**
- **Low Abrasion** for longer pump life and less maintenance.
- **UL Classified.**
- **Tested** with spray applied fire resistive materials (SFRM).
- **Paintable**

PERFORMANCE

When applied to a wet film thickness of 1/8" (3.2 mm) over appropriate backing materials, SpecSeal® Series AS200 Elastomeric Spray has been successfully tested in one, two, three and four hour joints tested in accordance with ASTM E1966 (ANSI/UL2079), ASTM E814 (ANSI/UL1479) and CAN/ULCS115. This product has also been tested for use in Perimeter Fire Barrier Systems in accordance with ASTM E2307. Consult factory for individual system designs and application requirements.

LIMITATIONS: Use product as per manufacturer's instructions. Use only in applications per the manufacturer's tested and published designs or specific recommendations. End user must ultimately determine the suitability of the product and designs to his specific requirement and assumes responsibility for its use. **PRODUCT CONTAINS WATER AND IS CONDUCTIVE UNTIL DRY. DO NOT APPLY IN THE PRESENCE OF EXPOSED OR ENERGIZED ELECTRICAL CONDUCTORS.**



PHYSICAL PROPERTIES

PROPERTIES:	SERIES AS SPRAY	
Color	Pale Blue and Red	
Odor	Mild Latex	
Specific Gravity	1.3	
Solids Content by Weight	74%	
Solids Content by Volume	66.4%	
Flame Spread	10*	
Smoke Developed	0*	
Movement	±50%**	
Coverage	12.8 sq ft/gal @ 1/8" (0.31 sq m/L @ 3.2 mm)	
Viscosity	110,000 cps	
pH	7.5	

PROPERTIES:	SERIES AS SPRAY	
Solvent Content	None	
Plasticizer	None	
In-Service Temp.	≤185° F (85° C)	
Storage Temp.	40°F (4°C) - 95°F (35°C)	
Drying Time	Tack Free 2 Hours	
	Dry Through 24-48 Hours ^A	
STC Rating	60 (Relates to specific construction) (ASTM E 90-04/ASTM C919)	
VOC Content ^B	10 g/L	
Shelf Life	18 Months	

* Tested to ASTM E84 (UL723) @ 14% coverage.
**500 Cycles per UL2079, AC30 (ICBO) and ASTM E1399
^A Dependent on temperature and humidity.
^B Per ASTM D3960 EPA Fed. Reference Method 24



FIG. 1: METALLIC PIPE PENETRATIONS - CONCRETE/MASONRY FLOORS & WALLS

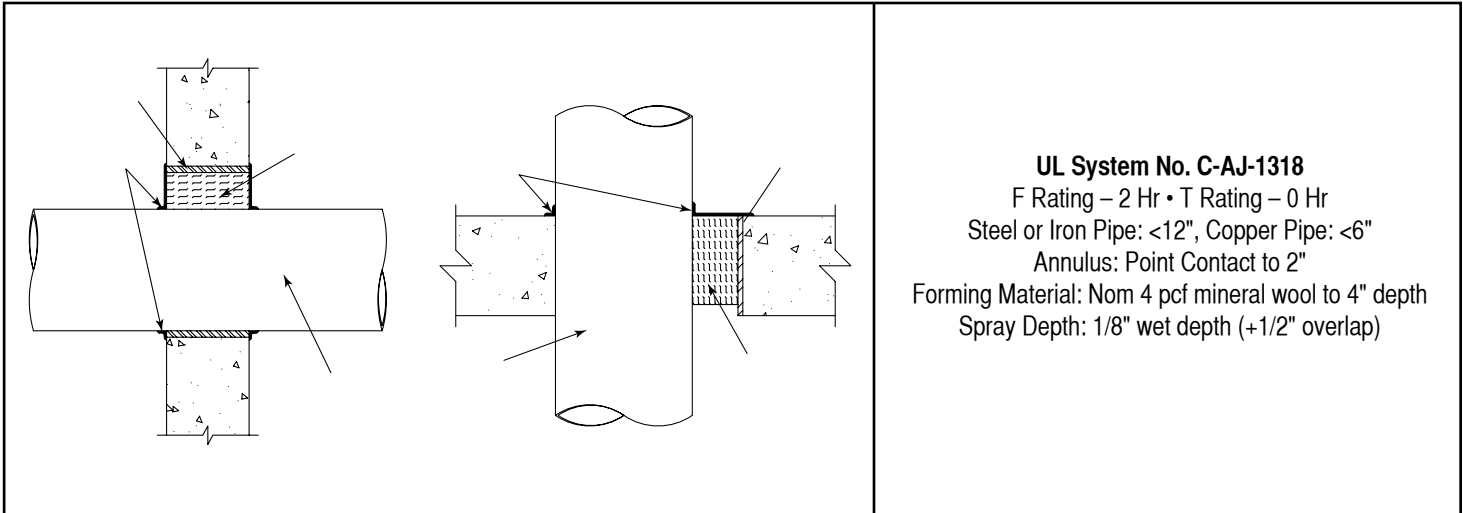


FIG. 2: SLAB-EDGE SAFING GAP APPLICATIONS

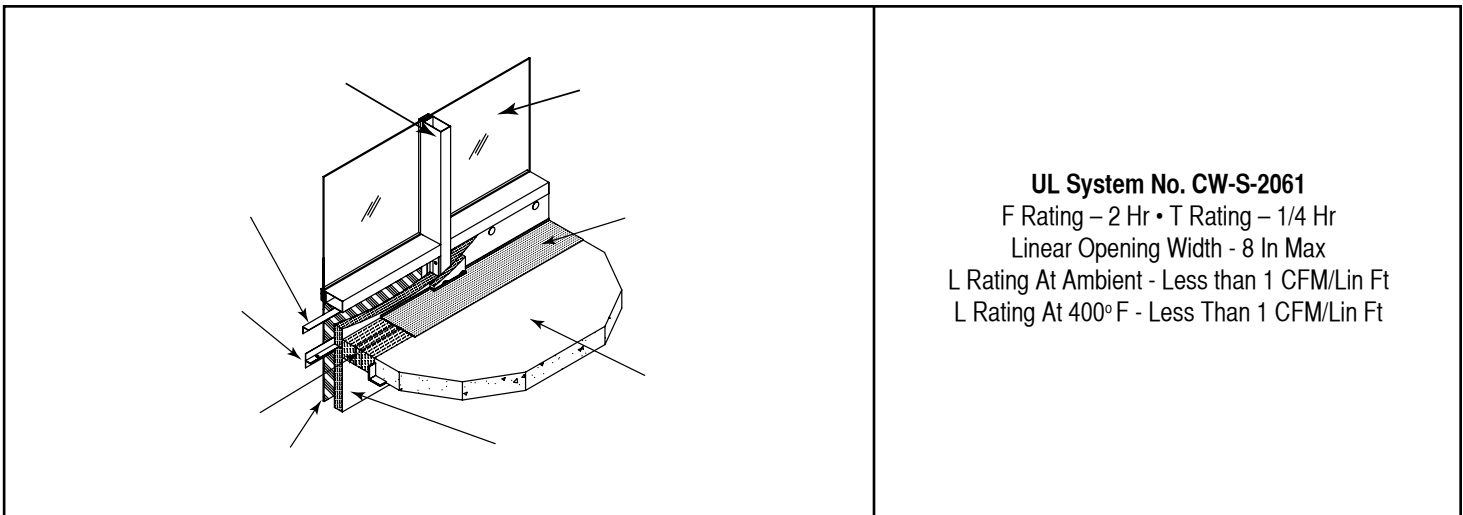
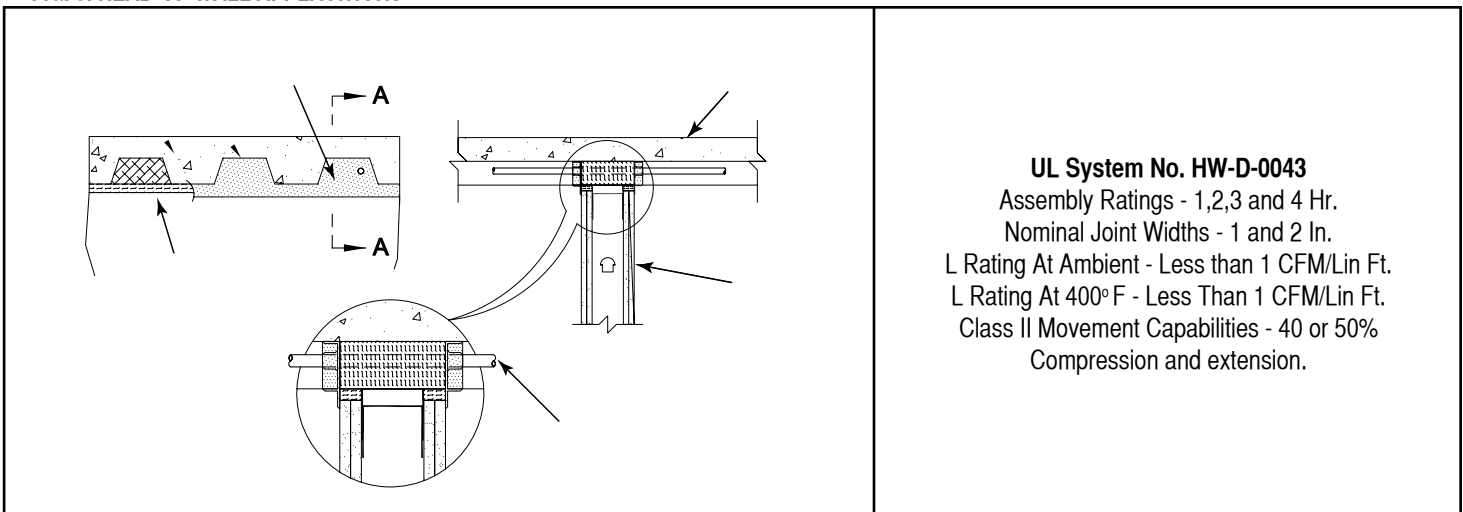


FIG. 3: HEAD-OF-WALL APPLICATIONS



SPECIFICATIONS

The fire protective joint coating shall be a water-based, non-halogenated elastomeric coating and shall contain no solvents, inorganic fibers, nor asbestos. The coating shall dry to form a flexible, moisture resistant film and shall adhere to all common construction surfaces. The coating shall provide up to 50 percent movement. The coating shall be thixotropic and shall be capable of being applied by brush or by airless spray. The approved coating shall be SpecSeal® Series AS200 Elastomeric Spray.

SPECIFIED DIVISIONS

DIV. 7	07 84 00	Through-Penetration Firestopping
DIV. 4	04 22 00	Concrete Unit Masonry
DIV. 7	07 21 00	Thermal Insulation
DIV. 8	08 44 00	Curtain Wall and Glazed Assemblies

INSTALLATION INSTRUCTIONS

GENERAL: Areas to be protected must be clean and free of oil, loose dirt, rust or scale. Recommended storage temperatures range between 40°F (4°C) and 95°F (35°C). Installation temperature shall be between 40°F (4°C) and 95°F (35°C). Although not a requirement, the optimal application temperature range is 60°F (16°C) to 90°F (32°C). When applying product at the lower end of the temperature range, warming the material to 70°F (21°C) will enhance drying characteristics. Drying time will vary according to prevailing temperature and humidity. Allow to thoroughly dry before exposure to moisture.

Consult appropriate manufacturer's drawing for system design requirements. Forming or packing materials are required as an integral part of various system designs.

Coating may be applied by airless spray in a single pass up to 3/16" (4.8mm) wet coating depth. If applying by brush or spraying on vertical surfaces where coating appears to be prone to slumping, multiple coats or the application of a thin tack coat may be required. **DO NOT ATTEMPT TO THIN PRODUCT BY ADDING WATER.** When dry, may be painted using most non-solvent based paints.

MAINTENANCE

Inspection: Installations should be inspected periodically for subsequent damage. Following safety precautions listed below (See Precautionary Information) and pertinent installation guidelines, remove coating in damaged areas down to undamaged material. Reapply fresh coating material to original coating thickness.

TECHNICAL SERVICE

Specified Technologies Inc. provides toll free technical support to assist in product selection and appropriate installation design. UL Systems, Material Safety Data Sheets and other technical information is available at the Technical Library at www.stifirestop.com.

PRECAUTIONARY INFORMATION

Consult Material Safety Data Sheet for additional information on the safe handling and disposal of this material. Wash areas of skin contact with soap and water. Avoid contact with eyes. The use of an OSHA or NIOSH approved mask for dust and mist environment is recommended. Apply in areas with adequate ventilation.

AVAILABILITY


SpecSeal® Series AS200 Elastomeric Spray is available worldwide from authorized distributors. Consult factory for the names and locations of the nearest sales representatives or distributors. 



TABLE A: APPLICATION EQUIPMENT

NOTICE: Spray application of SpecSeal Elastomeric Spray requires airless spray equipment meeting the following specifications:

Working Pressure: Min. 2500 PSI (172 Bar)

Delivery: Min. .72 U.S. gpm (2.7 l/min.) recommended

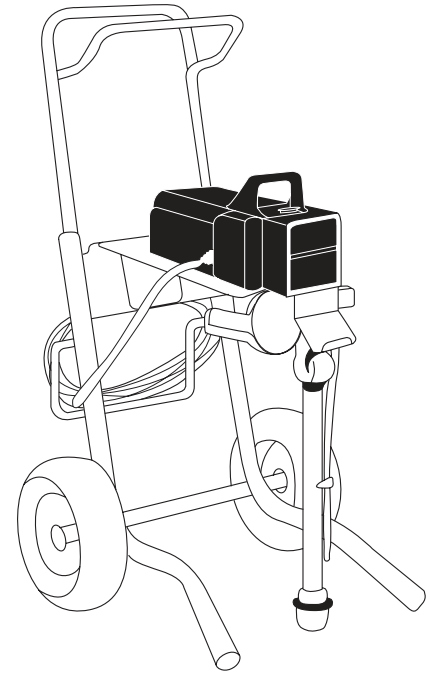
Spray Tip Orifice: 0.023" to 0.026" (0.58 to 0.66 mm) recommended

Wetted Parts All seals and contact surfaces suitable for contact with latex emulsions.

A minimum 3/8" (9.5 mm) fluid line is required, a 1/2" (13 mm) line is preferred. Consult pump manufacturer for long hose runs or lifts to higher elevations. A reversible spray tip is recommended. A 6" (152 mm) fan pattern is suggested to minimize overspray.

The following airless spray equipment has demonstrated suitability for application of this product. STI makes no warranties concerning the suitability or use of this equipment and has no affiliation of any kind with its manufacturer.

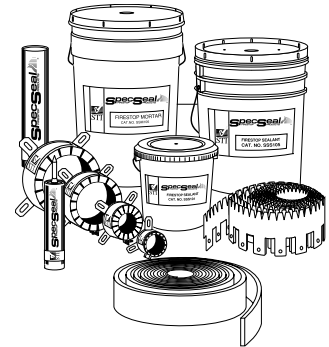
Manufacturer	Model Number & Description
Titan Tool Inc.	740ix Electric Airless Sprayer
Graco Inc.	Ultra Max II 695 Electric Airless Sprayer



ORDERING INFORMATION

SpecSeal® Elastomeric Spray is available in 5 gal. pails, 55 gal. drums are available on a special order basis.

AS205	Pale Blue Color	5 gal. Pail	1,155 cu. in. (19 liters)
AS205R	Red Color	5 gal. Pail	1,155 cu. in. (19 liters)



CITY OF NEW YORK MEA 310-99-M

Important Notice: All statements, technical information, and recommendations contained herein are based upon testing believed to be reliable, but the accuracy and completeness thereof is not guaranteed.

LIMITED WARRANTY: STI warrants that its products will be free of defects for one year from the date of purchase. In the event a product does not conform to this warranty, the sole and exclusive remedy is, at STI's option, replacement of the product or refund of the purchase price. The warranty provided herein shall be void and of no effect in the event that the product is not installed in accordance with STI's published instructions, listed systems and applicable building and safety codes. THIS WARRANTY IS IN LIEU OF ALL OTHER REPRESENTATIONS AND EXPRESSED OR IMPLIED WARRANTIES (including the implied warranties of merchantability or fitness for a particular use) AND UNDER NO CIRCUMSTANCES SHALL STI BE LIABLE FOR ANY DIRECT, INDIRECT, SPECIAL, INCIDENTAL OR CONSEQUENTIAL DAMAGES OR LOSSES, INCLUDING, WITHOUT LIMITATION, ANY LOSS OF REVENUE, PROFIT OR USE. Prior to use, the user shall determine the suitability of the product for its intended use, and the user assumes all risks and liability for subsequent use. No person other than an officer of STI is authorized to bind STI to any other warranty for any product for which this warranty is issued.

MADE IN THE USA – COPYRIGHT © 2016 SPECIFIED TECHNOLOGIES INC.



Somerville NJ 08876 USA • Phone: 800.992.1180 • Fax: 908.526.9623

