


Technical Data

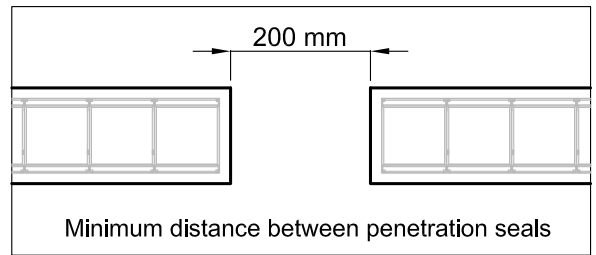
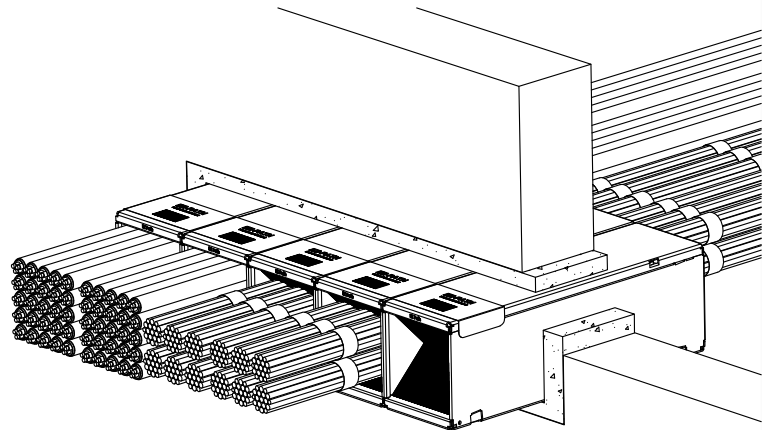
Type of wall	Rigid	
Wall thickness	≥ 100 mm	≥ 150 mm
Number of EZD44T	up to 5x EZD44T	Single EZD44T
Performance	EI90 / E240	EI120 / E240

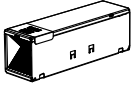
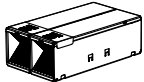
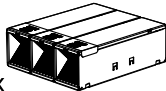
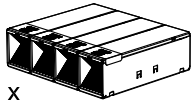
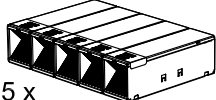
Cable diameter	OD ≤ Ø 21 mm
Cable loading	0% to 100%
Fire resistance	EN 1366-3 / EN13501-2
Certification 	ETA - 13/0887

Max 16.6 mm Ø PVC tubes can be installed in EZ-Path® in association with cables. Please contact the STI representative for more information

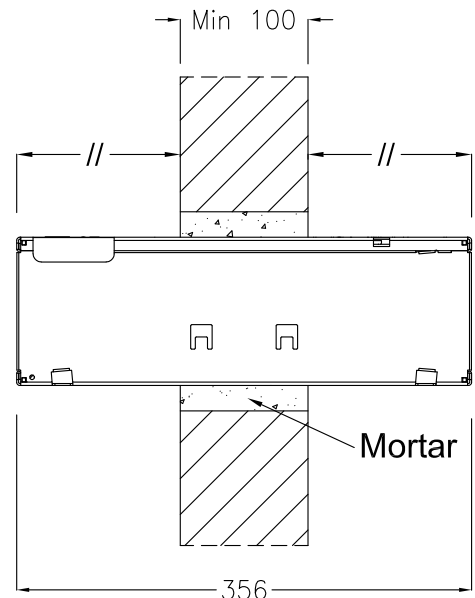
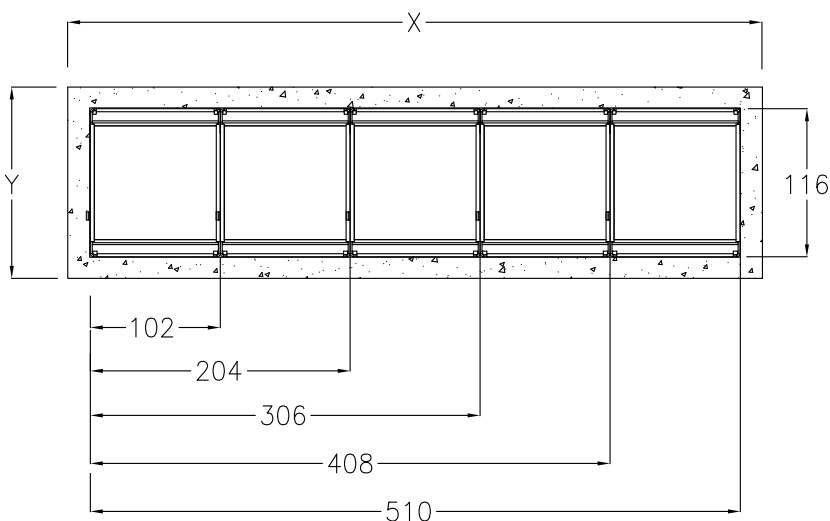
Not at scale. Units in millimeters

Please refer to Installation Sheet for grouted devices EZD44T



EZD44T	 1 x *	 2 x	 3 x	 4 x	 5 x
X	138mm +/- 16mm	240mm +/- 16mm	342mm +/- 16mm	444mm +/- 16mm	546mm +/- 16mm
Y	143mm +/- 12mm	143mm +/- 12mm	143mm +/- 12mm	143mm +/- 12mm	143mm +/- 12mm

* For 1 x EZD44T opening can be Ø152 - Ø155 mm



ZIS1283 0529