
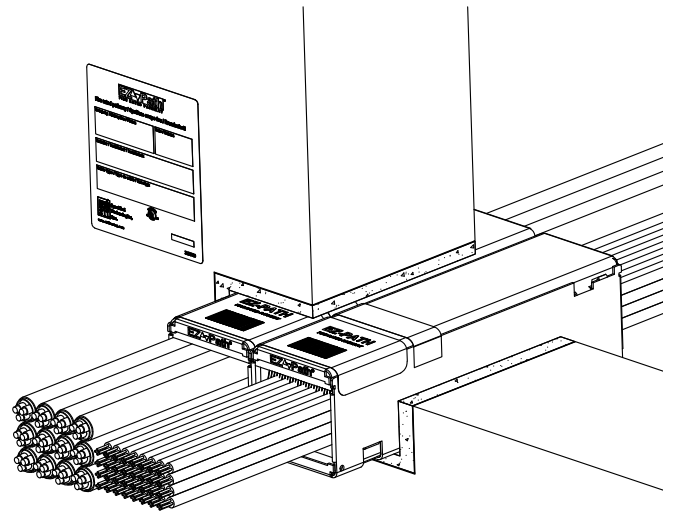
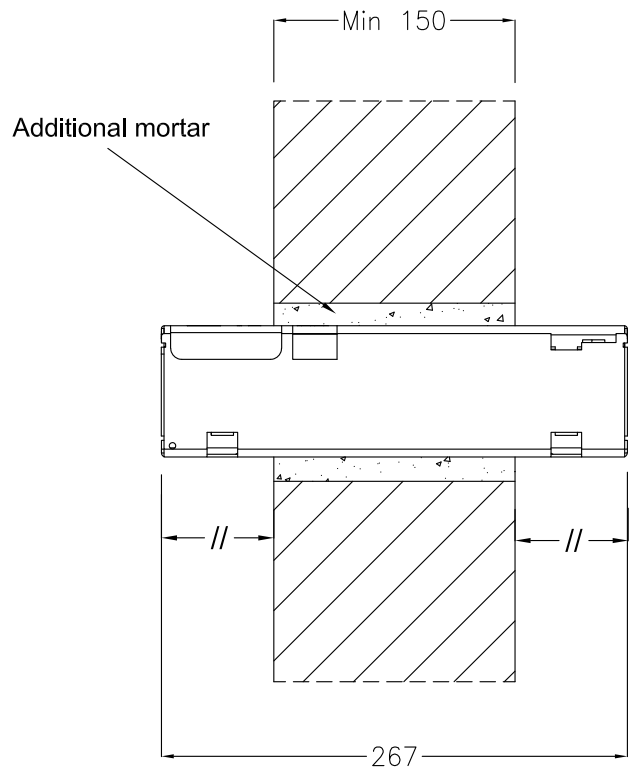
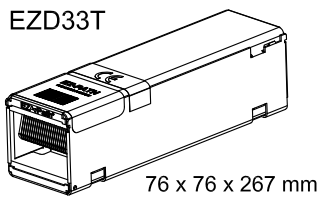


Technical Data

| | |
|---|------------------------|
| Type of wall | Rigid |
| Wall thickness | ≥ 150 mm |
| Cable diameter | OD ≤ Ø 21 mm |
| Cable loading | 0% to 100% |
| Fire resistance | EN 1366-3 / EN 13501-2 |
| Performance | EI90 / E120 |
| Certification  | ETA - 13/0887 |



Not at scale. Units in millimeters
Please refer to the Installation Sheet for grouted EZD33T



Opening dimensions

| Opening | 1 x EZD33T | 2 x EZD33T |
|---------|--------------|---------------|
| X | 90mm +/- 5mm | 170mm +/- 5mm |
| Y | 90mm +/- 5mm | 90mm +/- 5mm |

