
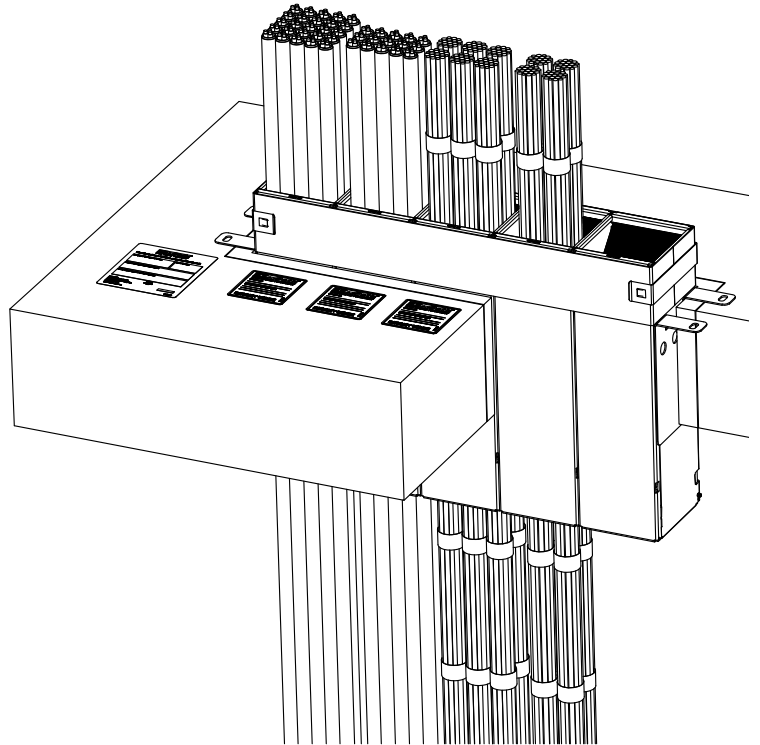


### Technical Data

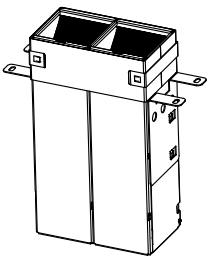
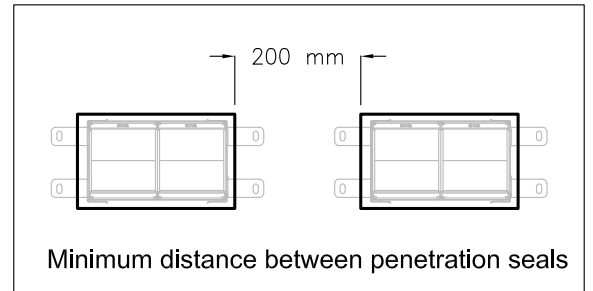
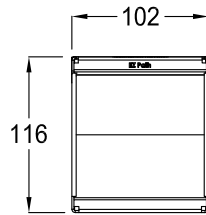
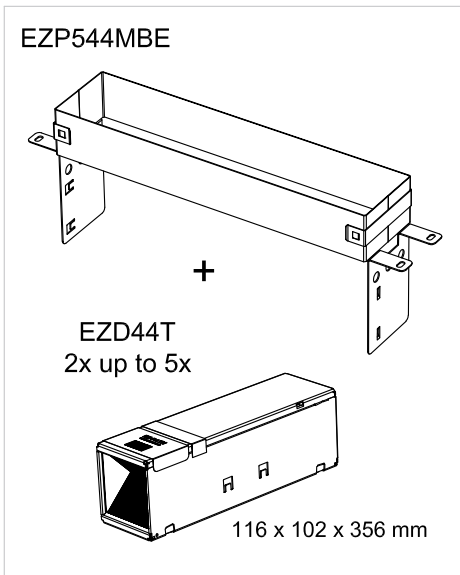
Floor thickness	≥ 150 mm
Ø cable	OD ≤ Ø 21 mm
Cable loading	0% to 100%
Opening size	page 2/2
Performance	EI 120
Fire resistance	EN 1366-3 / EN 13501-2
Certification 	ETA - 13/0887



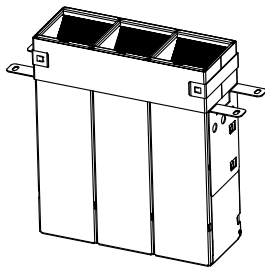
Max 16.6 mm Ø PVC tubes can be installed in EZ-Path® in association with cables. Please contact the STI representative for more information

Not at scale. Units in millimeters

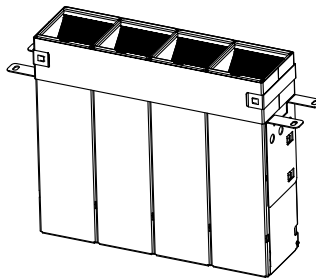
Please refer to the EZP544MBE Installation Sheet



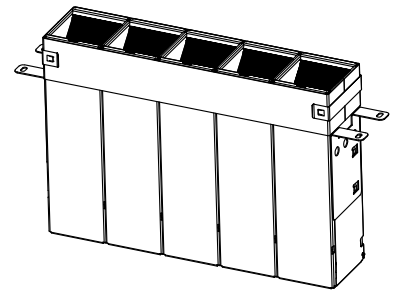
EZP544MBE  
+ 2x EZD44T



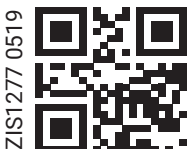
EZP544MBE  
+ 3x EZD44T



EZP544MBE  
+ 4x EZD44T



EZP544MBE  
+ 5x EZD44T



ZIS1277 0519

