
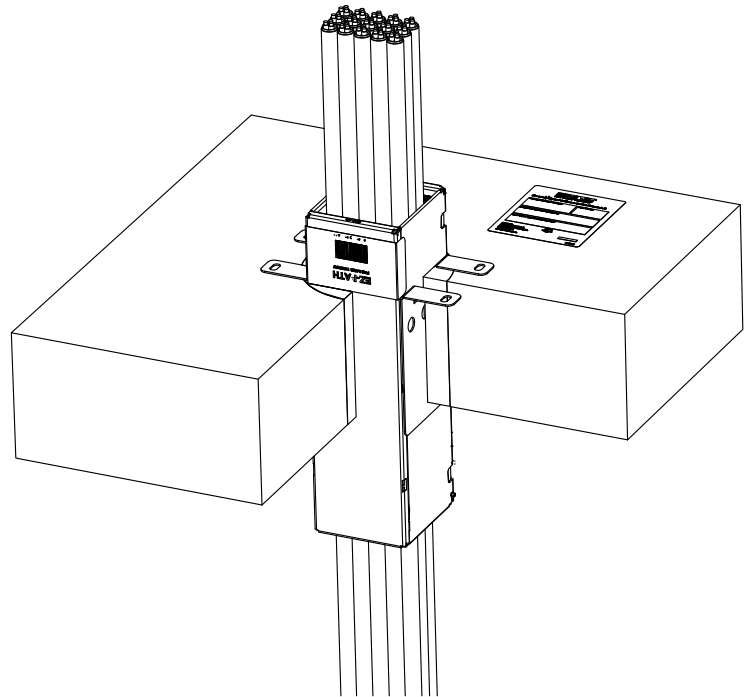


Technical Data

Floor thickness	≥ 150 mm
Ø cable	OD ≤ Ø 21 mm
Cable loading	0% to 100%
Opening size	Ø 152 mm - Ø 155 mm
Performance	EI 120
Fire resistance	EN 1366-3 / EN 13501-2
Certification 	ETA - 13/0887



Max 16.6 mm Ø PVC tubes can be installed in EZ-Path® in association with cables. Please contact the STI representative for more information

Not at scale. Units in millimeters

Please refer to the EZP144MBE Installation Sheet

