
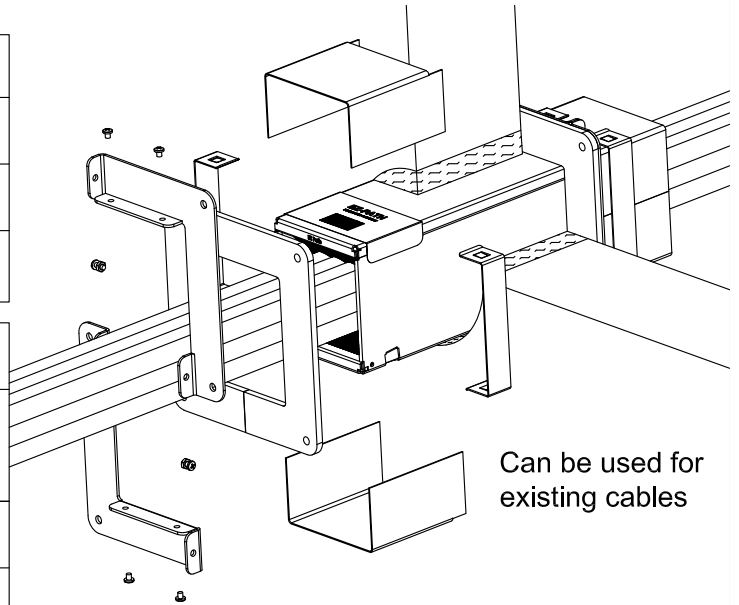


### Technical Data

Type of wall	Flexible and rigid	Rigid
Wall thickness	≥ 100 mm	≥ 150 mm
Cable diameter	OD ≤ Ø 21 mm	OD ≤ Ø 21 mm Telecommunication cables
Performance	EI90 / E120	EI120

Cable loading	0% to 100%
Opening size	Ø152 - Ø155 mm or 118 x 105 mm
Fire resistance	EN 1366-3 / EN13501-2
Certification 	ETA - 13/0887



Max 16.6 mm Ø PVC tubes can be installed in EZ-Path® in association with cables. Please contact the STI representative for more information

Not at scale. Units in millimeters

Please refer to the EZP144RSE Installation Sheet

