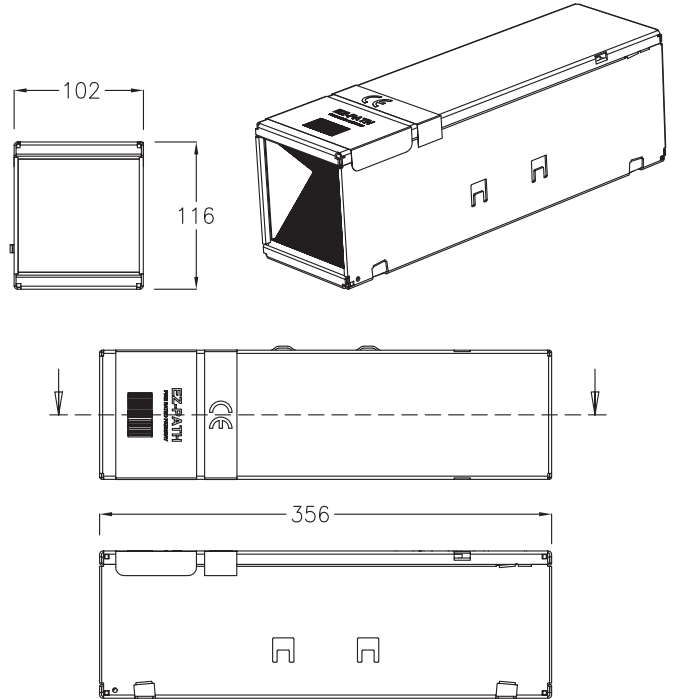
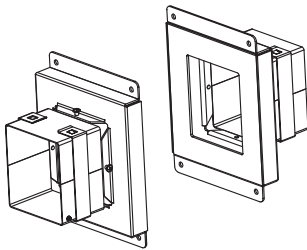


Fire resistance	EN 1366-3
Classification	EN 13501-2
Certification	ETA - 13/0887
Dimensions	116 x 102 x 356 mm
Ø max cable	Ø 80 mm
Cable loading	Empty to 100%
Constructions	Rigid walls, Flexible walls Rigid floors

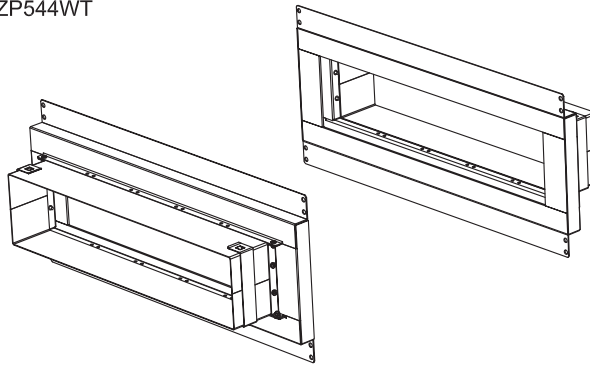


Not at scale. Units in millimeters  
Please refer to STI installation instruction of the plate kits

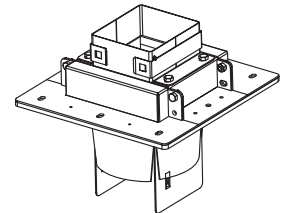
EZP144WT



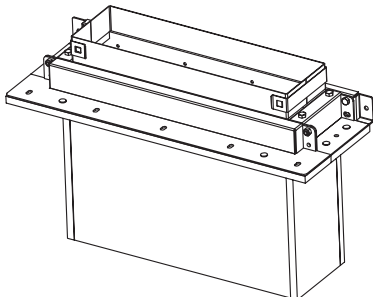
EZP544WT



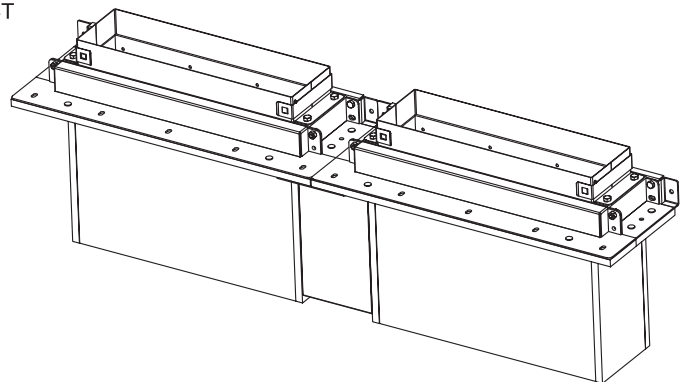
EZG144T



EZG444T



EZG844T



ZIS1252 0329