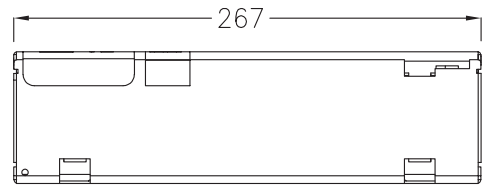
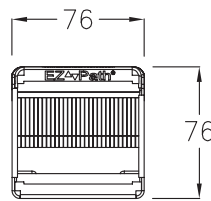
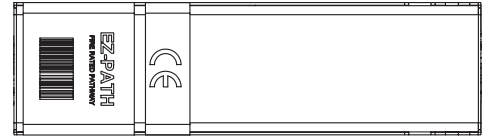
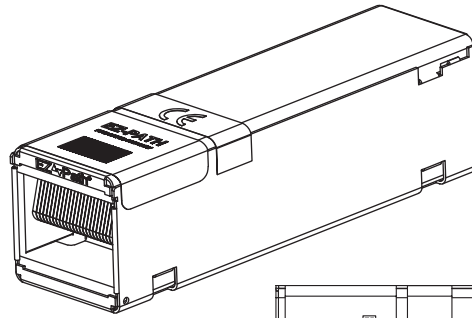


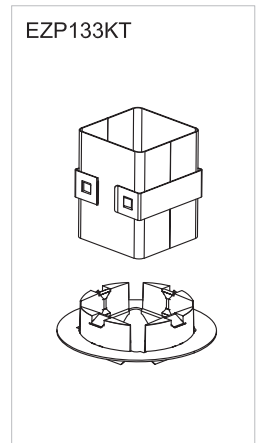
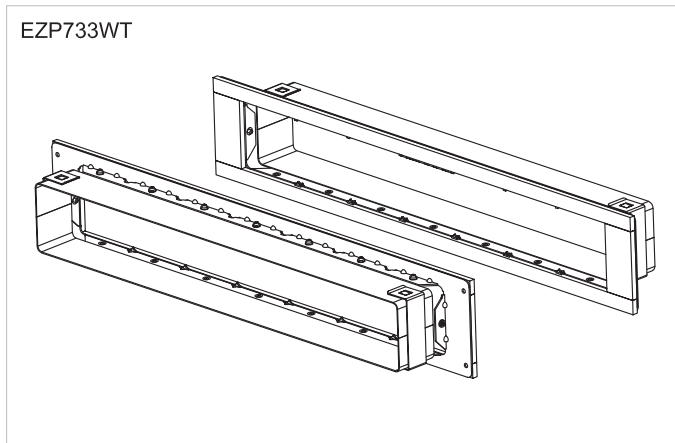
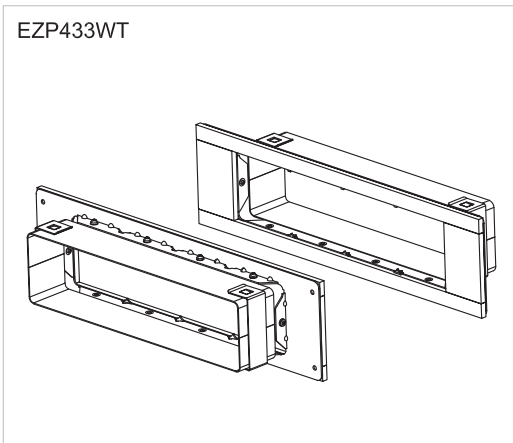
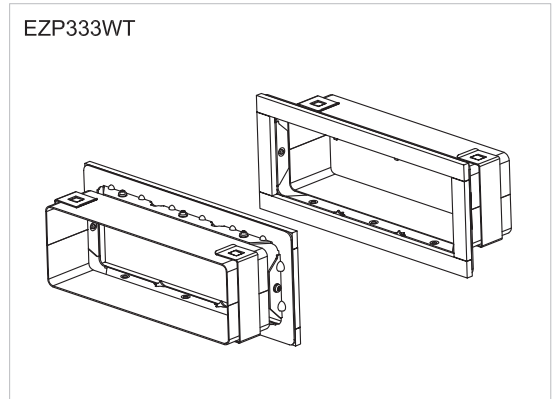
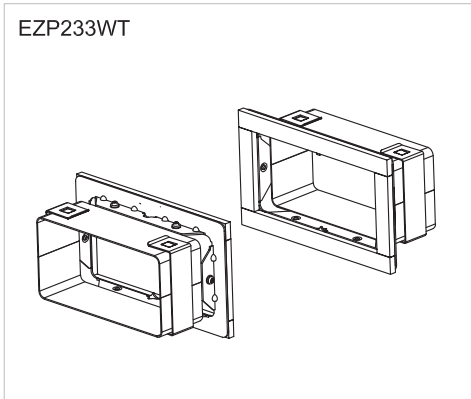
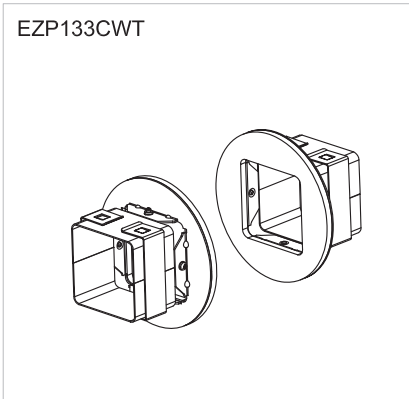
Fire resistance	EN 1366-3
Classification	EN 13501-2
Certification	ETA - 13/0887
Dimensions	76 x 72 x 267 mm
Ø max cable	max Ø 50 mm
Cable loading	Empty to 100%
Constructions	Rigid walls, Flexible walls Rigid floors



Not at scale. Units in millimeters

Please refer to STI installation instruction of the plate kits

EZD33T to be used in association with plate kits :



ZIS1251 0329

