
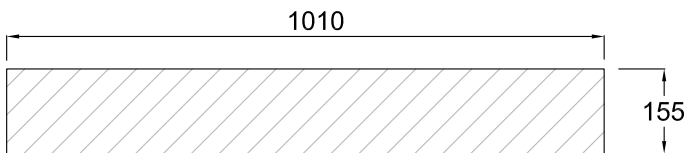
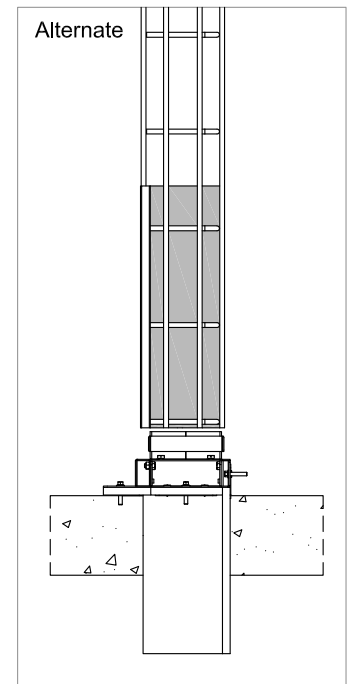
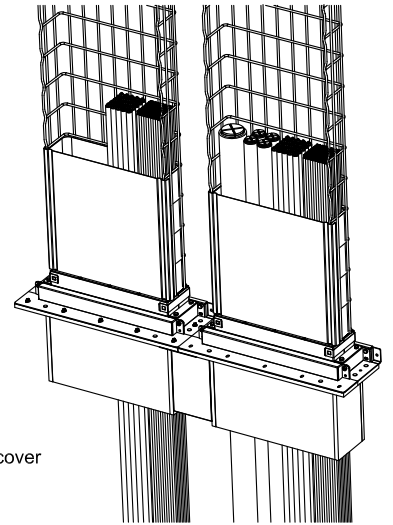
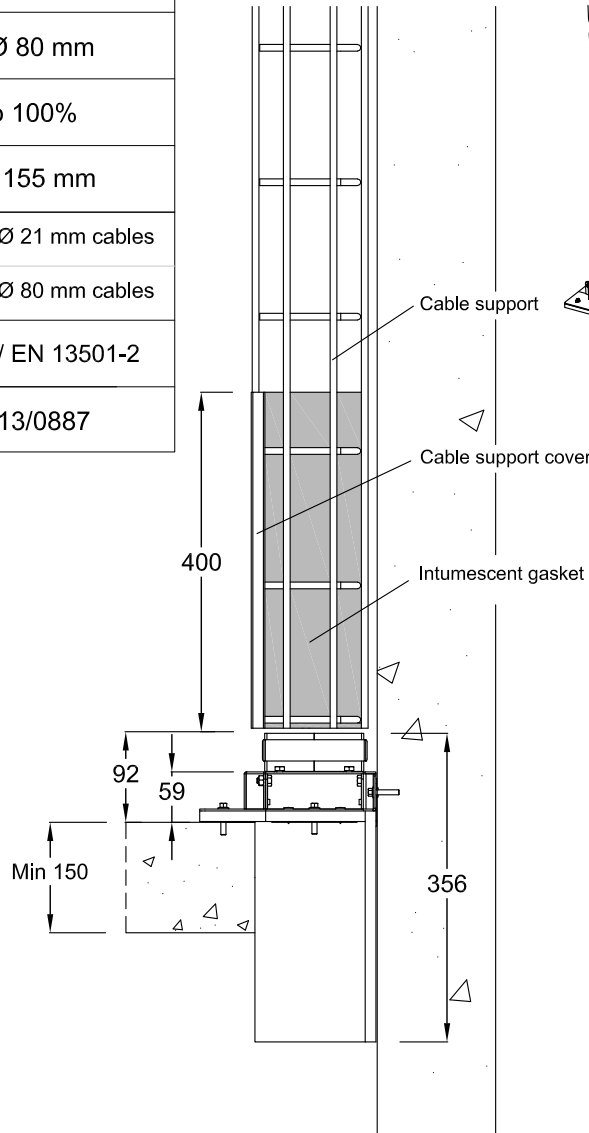
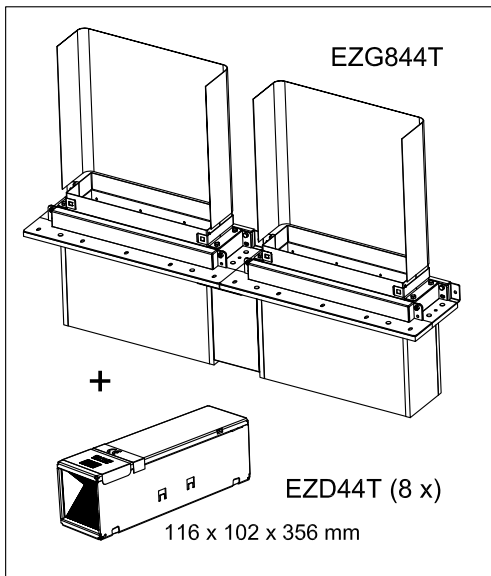


Technical Data

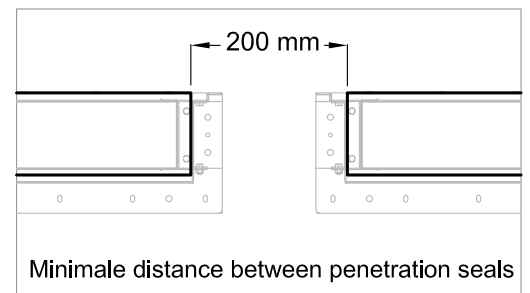
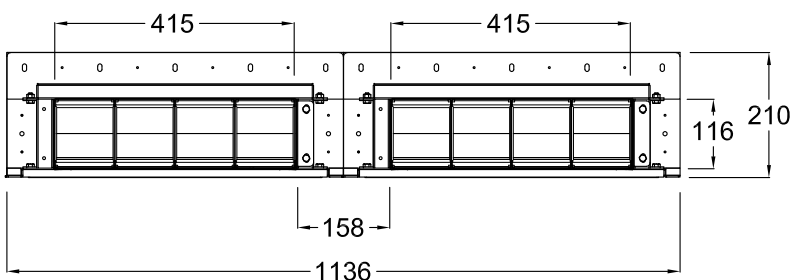
Floor thickness	≥ 150 mm
Ø cable	OD ≤ Ø 80 mm
Cable loading	0% to 100%
Opening size	1010 x 155 mm
Performance	EI 180 : OD ≤ Ø 21 mm cables
	EI 120 : OD ≤ Ø 80 mm cables
Fire resistance	EN 1366-3 / EN 13501-2
Certification 	ETA - 13/0887

Not at scale. Units in millimeters

Please refer to the EZG844T Installation Sheet



Opening size (mm)



ZIS1250 0379

