
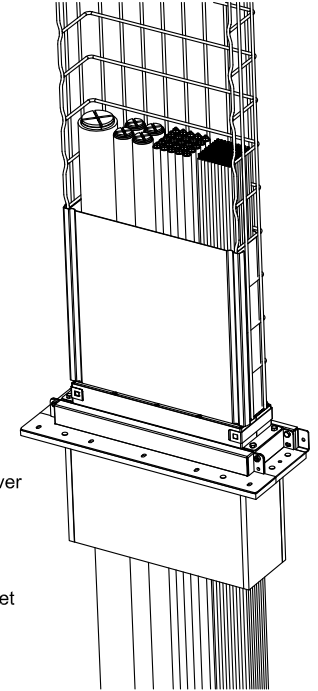
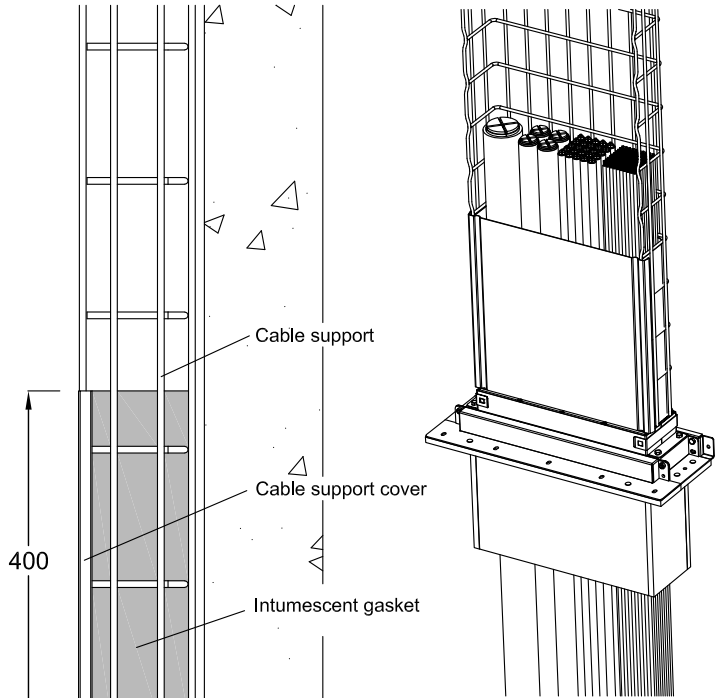


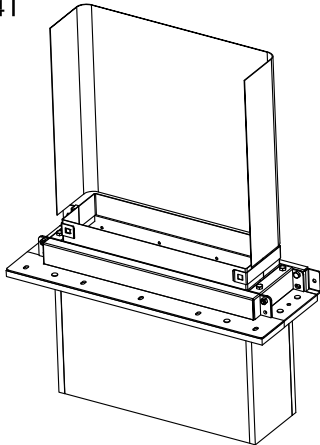
Technical Data

Floor thickness	≥ 150 mm
Ø cable	OD ≤ Ø 80 mm
Cable loading	0% to 100%
Opening size	445 x 155 mm
Performance	EI 180 : OD ≤ Ø 21 mm cables
	EI 120 : OD ≤ Ø 80 mm cables
Fire resistance	EN 1366-3 / EN 13501-2
Certification 	ETA - 13/0887

Not at scale. Units in millimeters
Please refer to the EZG444T Installation Sheet

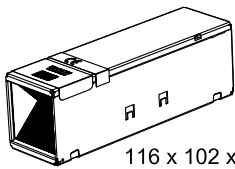


EZG444T



+

EZD44T (4x)



116 x 102 x 356 mm

