
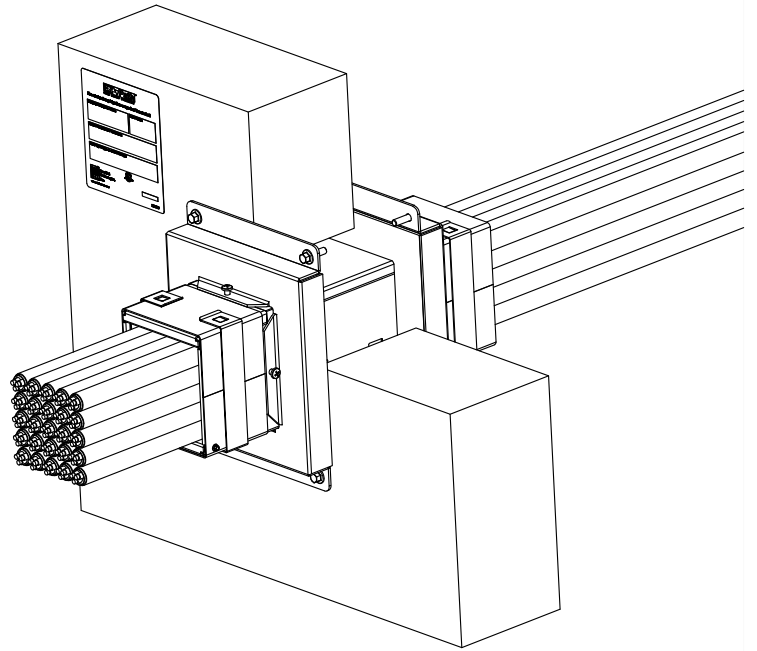


Technical Data

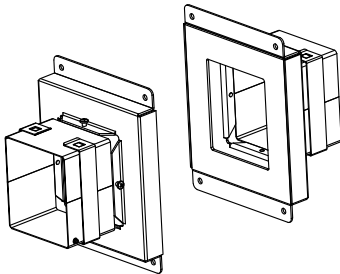
Type of wall	Flexible and rigid
Wall thickness	≥ 122 mm
Cable diameter	OD ≤ Ø 21 mm
Cable loading	0% to 100%
Opening size	Ø152 - Ø155 mm or 118 x 105 mm
Fire resistance	EN 1366-3 / EN13501-2
Performance	EI 120
Certification 	ETA - 13/0887



Not at scale. Units in millimeters

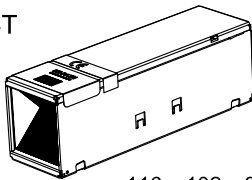
Please refer to the EZP144WT Installation Sheet

EZP144WT

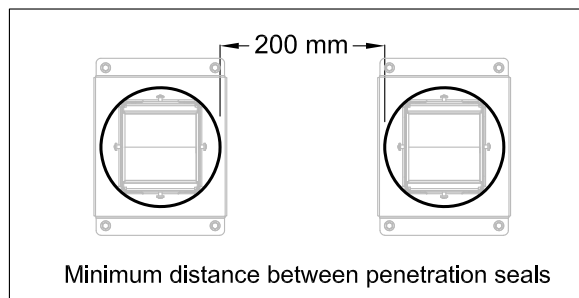
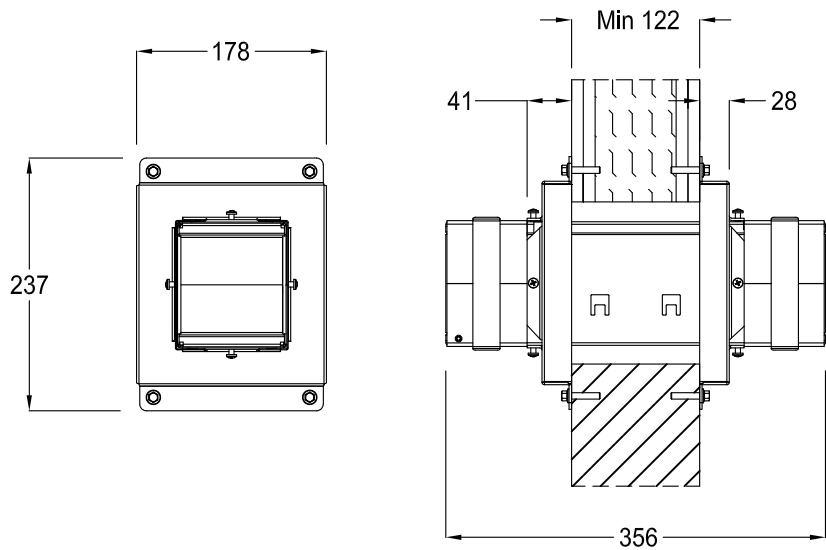
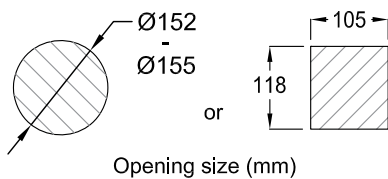


+

EZD44T




116 x 102 x 356 mm

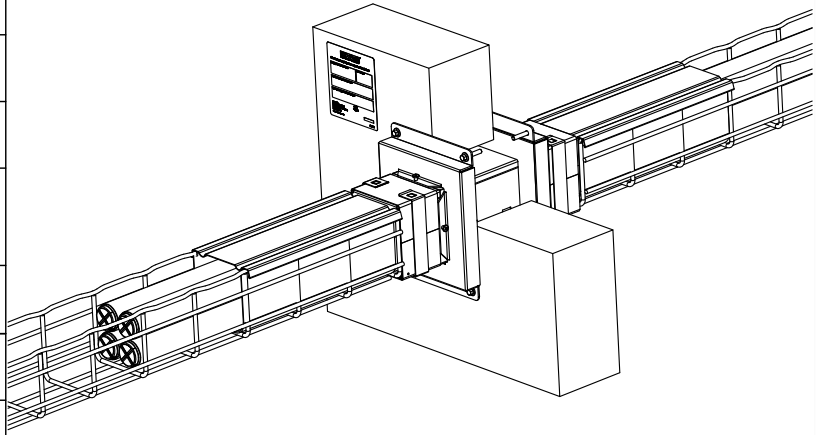


ZIS1246 0439



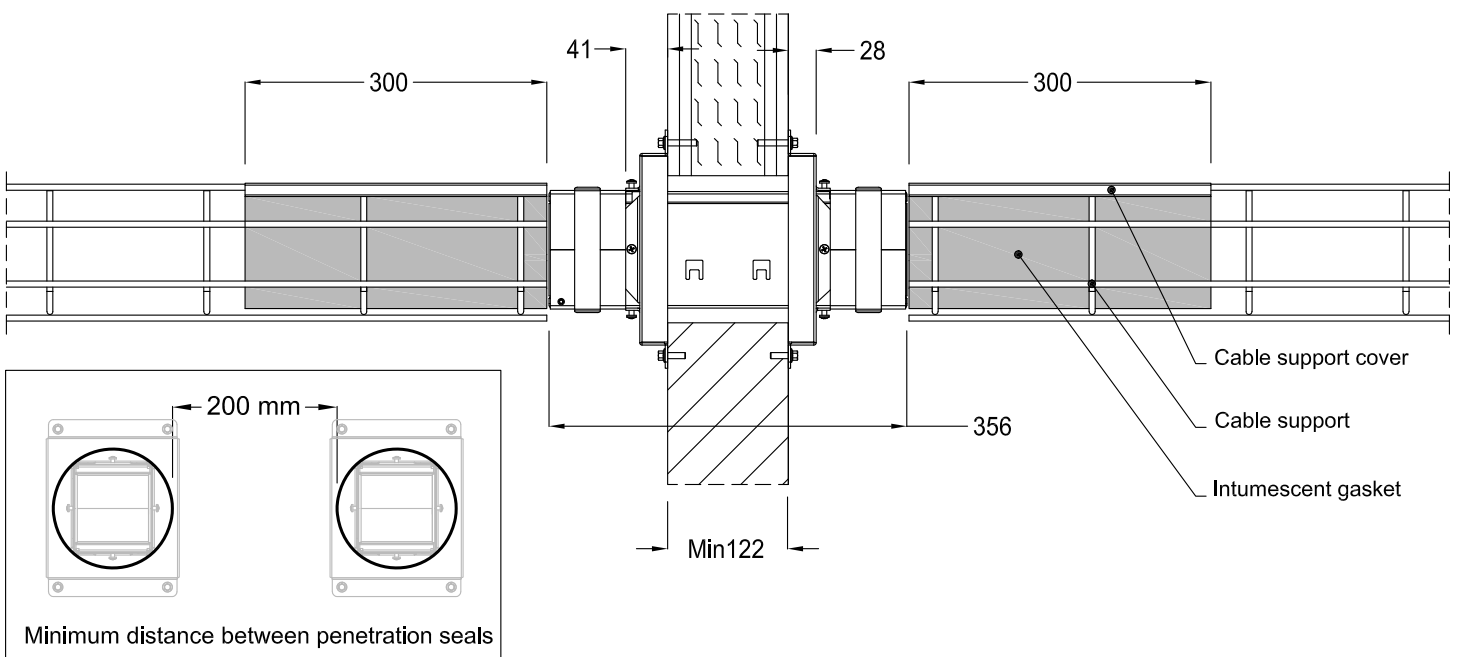
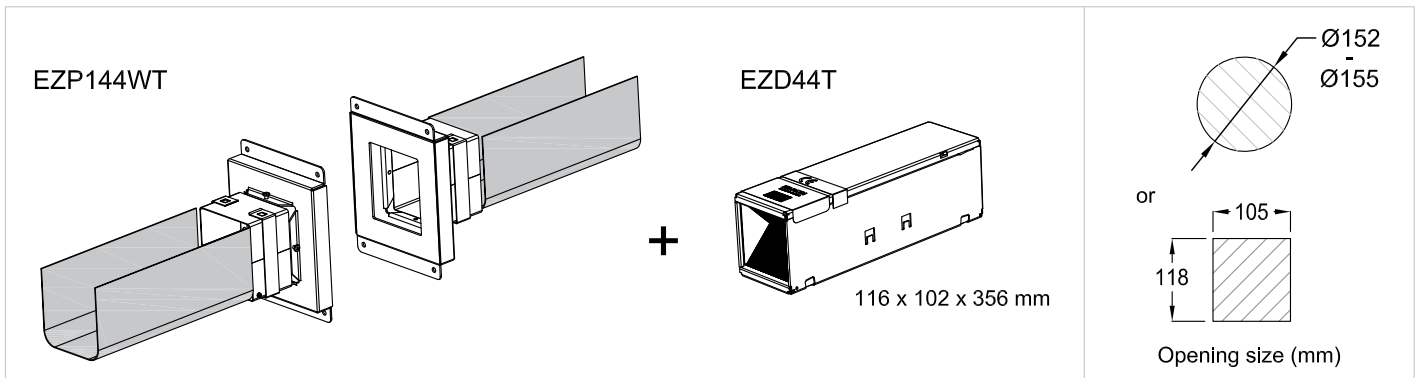
Technical Data

Type of wall	Flexible and rigid
Wall thickness	≥ 122 mm
Cable diameter	Ø21mm < OD ≤ Ø80mm
Cable loading	0% to 100%
Opening size	Ø152 - Ø155 mm or 118 x 105 mm
Fire resistance	EN 1366-3 / EN13501-2
Performance	EI 120
Certification 	ETA - 13/0887



Not at scale. Units in millimeters

Please refer to the EZP144WT Installation Sheet



ZIS1246 0439