
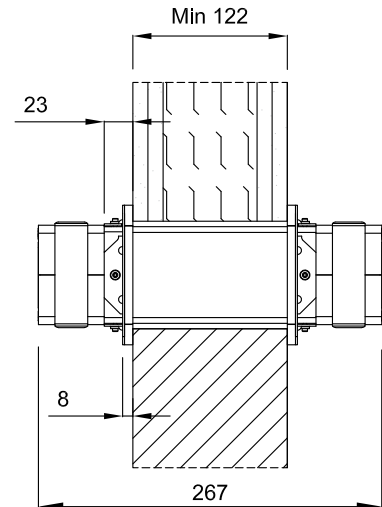
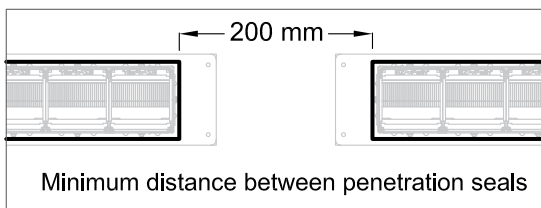
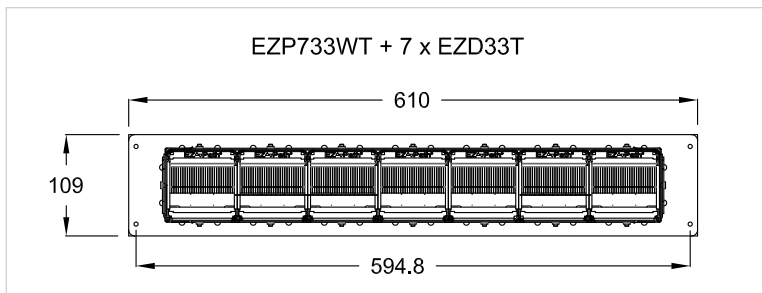
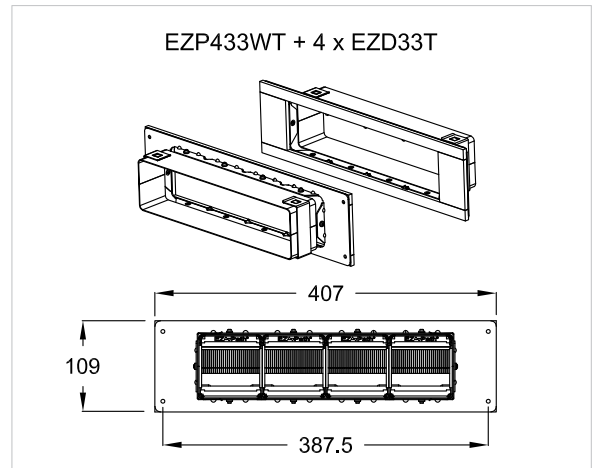
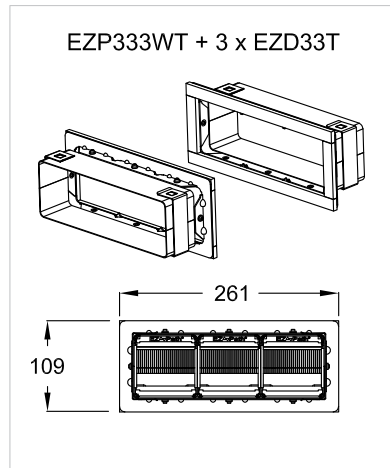
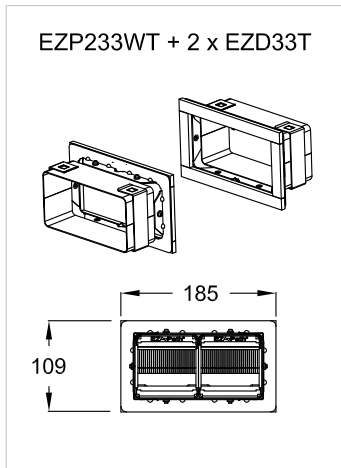
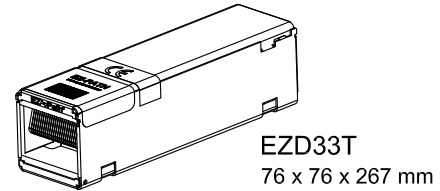
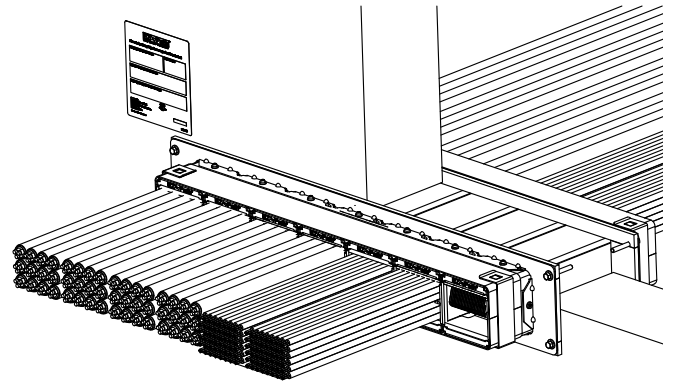


Technical Data

Wall thickness	Flexible and rigid ≥ 122 mm	Rigid ≥ 150 mm
Cable diameter	OD ≤ Ø21mm	Ø21mm < OD ≤ Ø50mm
Performance	EI120	EI60 / E120
Fire resistance	EN 1366-3 / EN 13501-2	
Cable loading	0% to 100%	
Certification 	ETA - 13/0887	

Opening size	EZP233WT	155 x 81 mm
	EZP333WT	230 x 81 mm
	EZP433WT	305 x 81 mm
	EZP733WT	540 x 81 mm



Not at scale. Units in millimeters
Please refer to the Installation Sheet

