
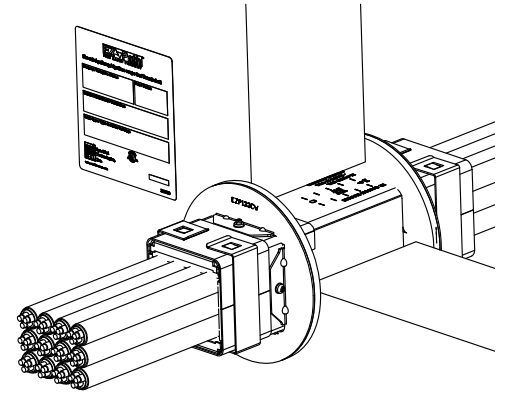


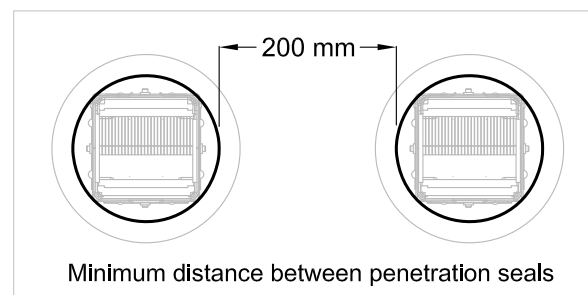
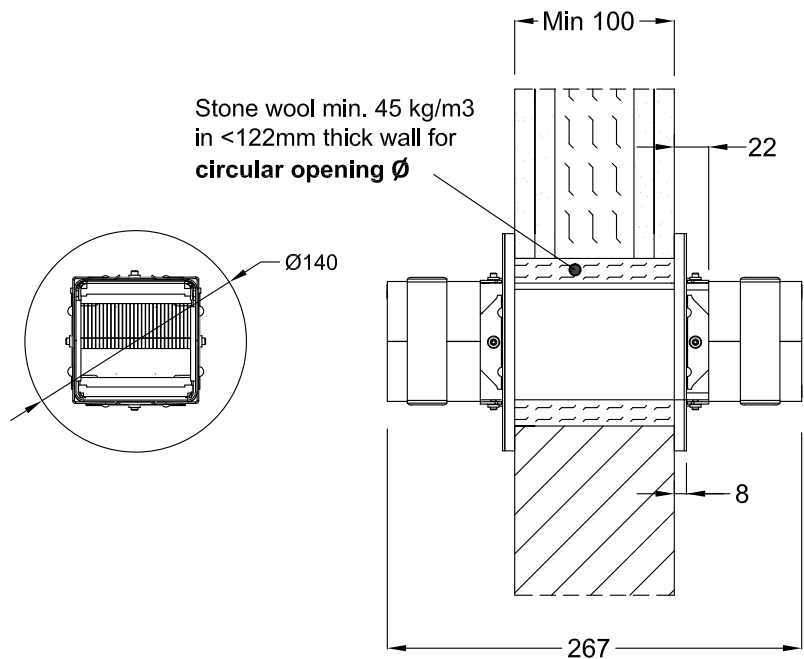
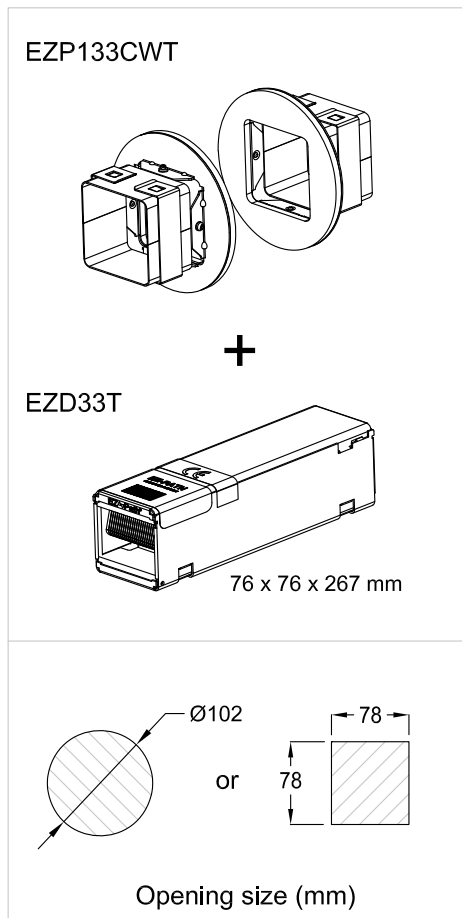
Technical Data

Wall thickness	Flexible and rigid wall		Rigid wall
	≥ 100 mm	≥ 122 mm	≥ 150 mm
Cable diameter	OD ≤ Ø 21 mm		Ø21mm < OD ≤ Ø50mm
Performance	EI 60 / E120	EI 120	EI 60 / E120
Fire resistance	EN 1366-3 / EN 13501-2		
Opening size	Ø 102 mm or 78 x 78 mm		
Cable loading	0% to 100%		
Certification 	ETA - 13/0887		



Not at scale. Units in millimeters

Please refer to EZP133CWT Installation Sheet



ZIS1243 0379

