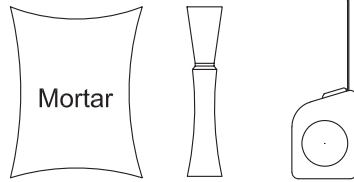
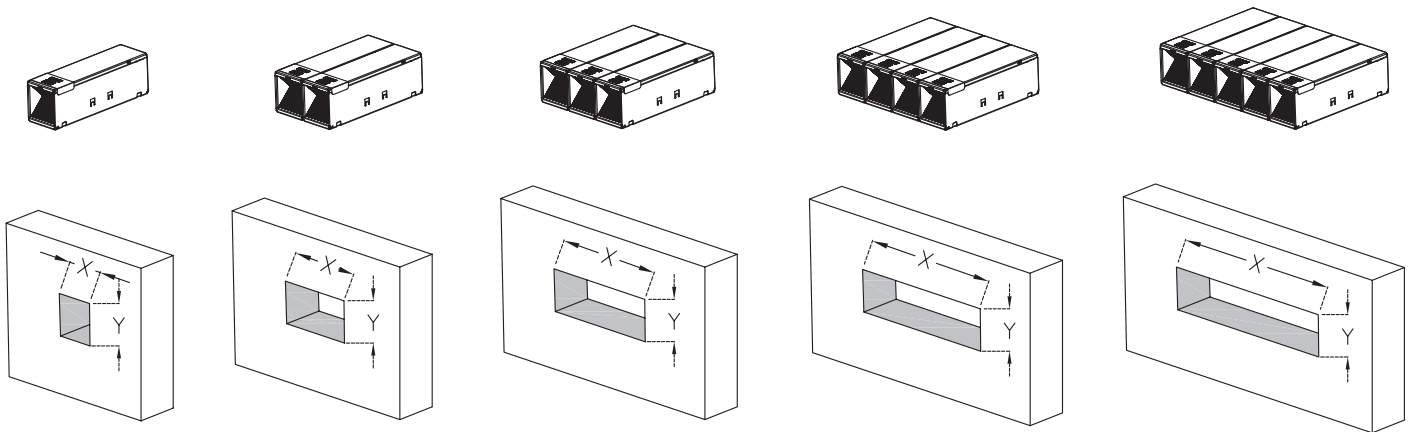


Ref : EZD44T
1x - 5x

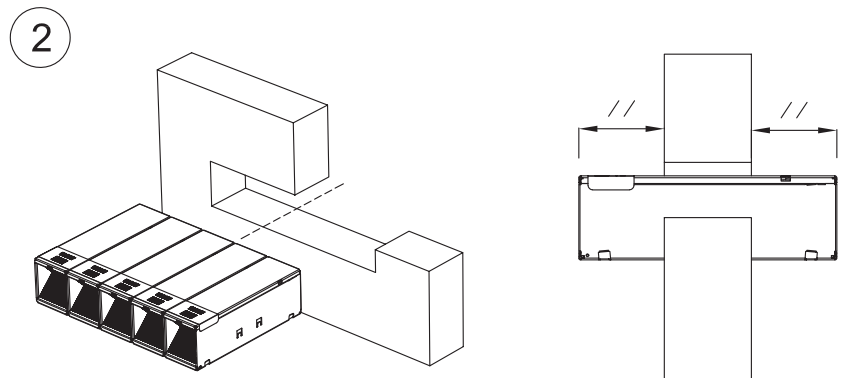
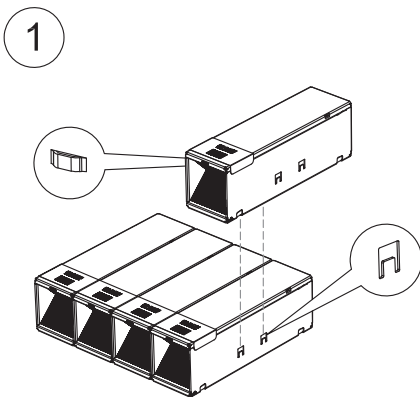


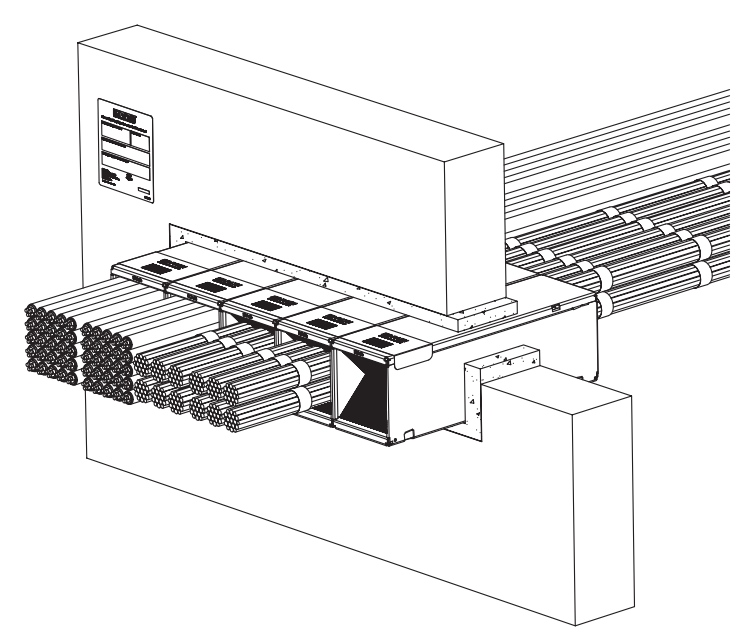
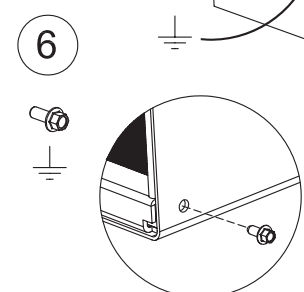
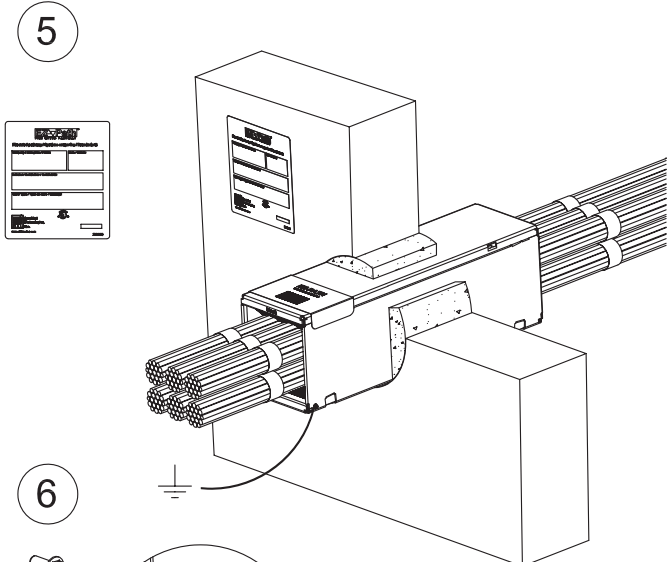
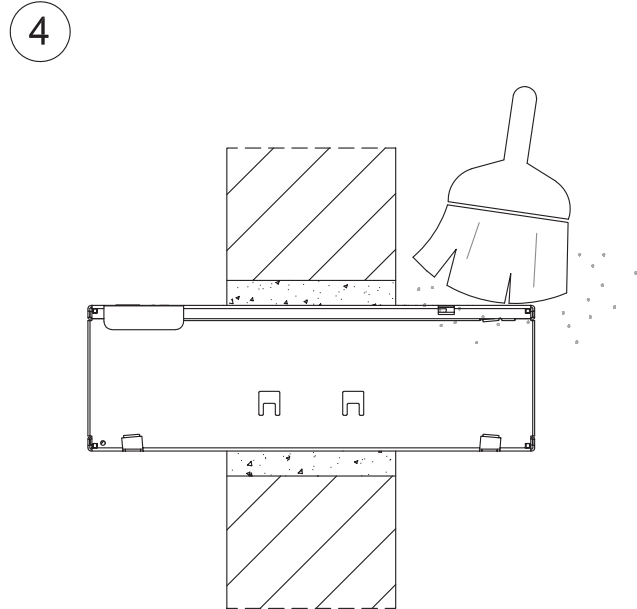
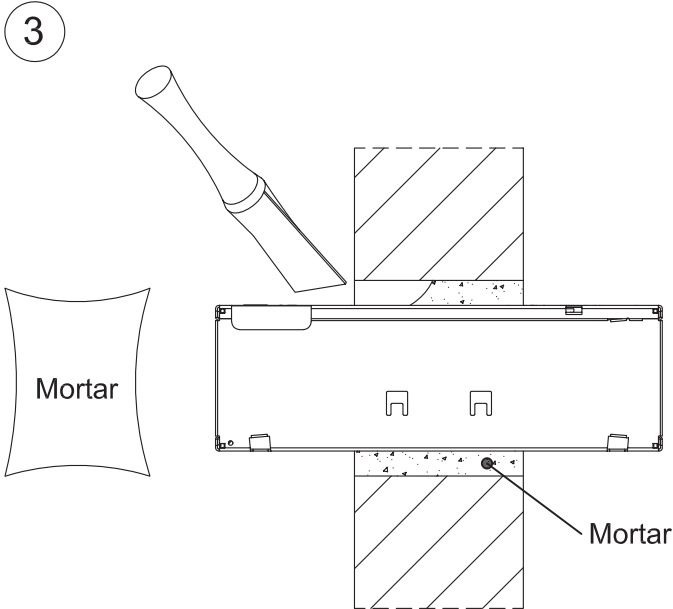
Application Sheet ZIS1283



Opening	1 x EZD44T *	2 x EZD44T	3 x EZD44T	4 x EZD44T	5 x EZD44T
X	138mm +/- 16mm	240mm +/- 16mm	342mm +/- 16mm	444mm +/- 16mm	546mm +/- 16mm
Y	143mm +/- 12mm	143mm +/- 12mm	143mm +/- 12mm	143mm +/- 12mm	143mm +/- 12mm

* : For 1 x EZD44T opening can be Ø 155 mm





ZIS1281 0529

