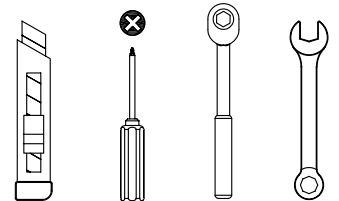
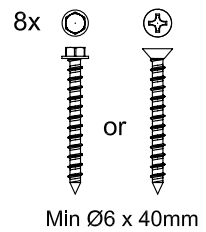
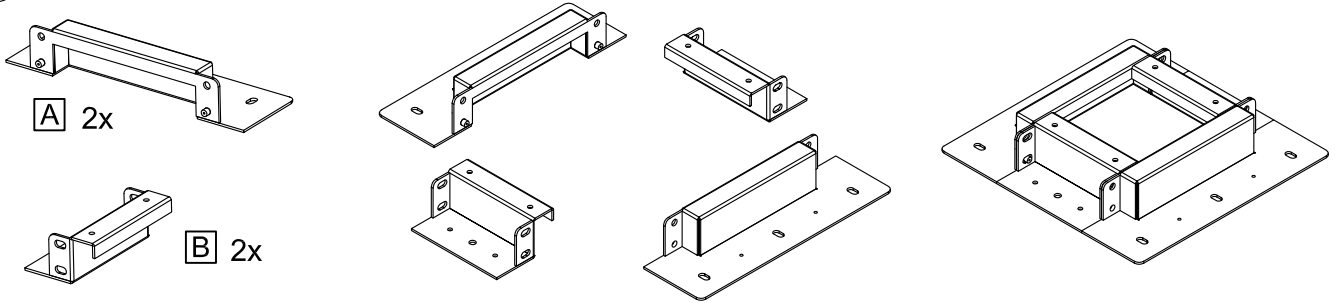


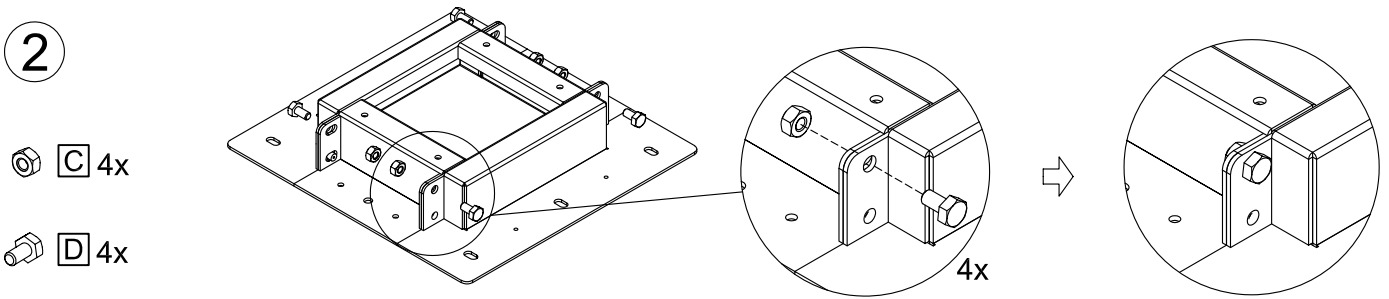
EZD44T 1x



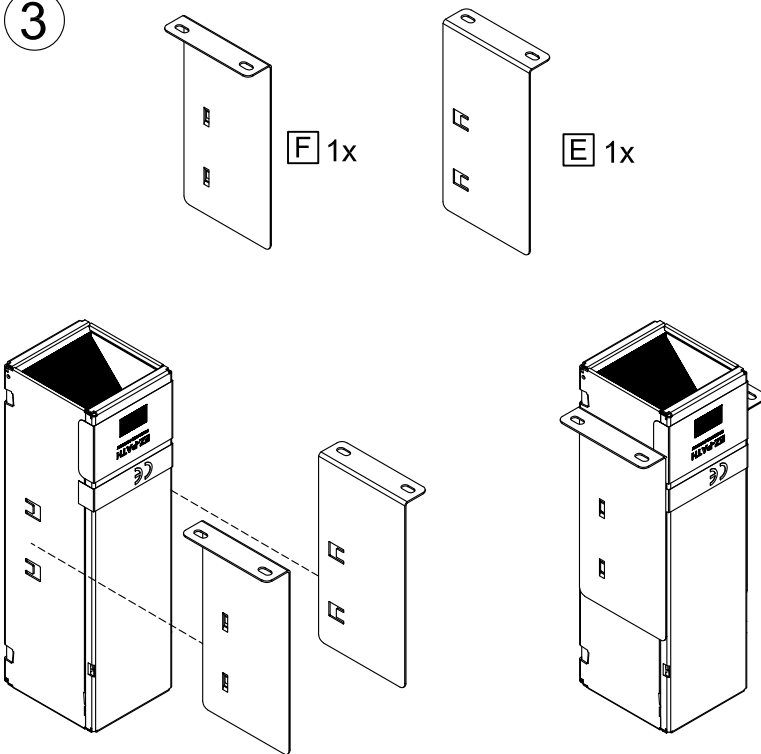
1



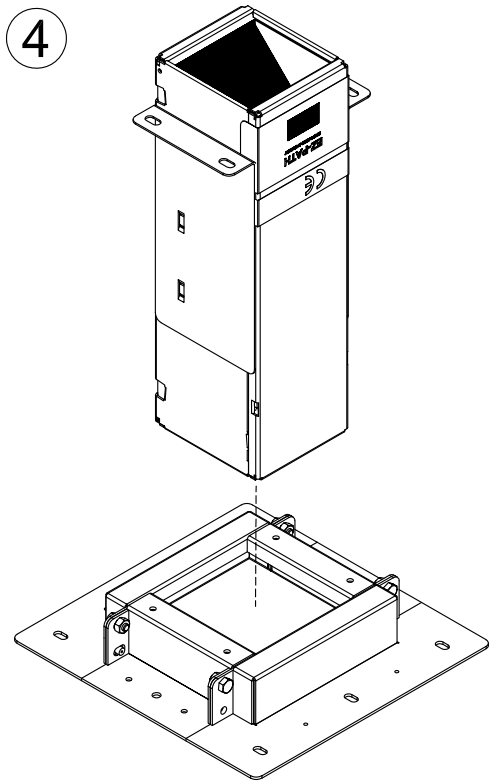
2



3

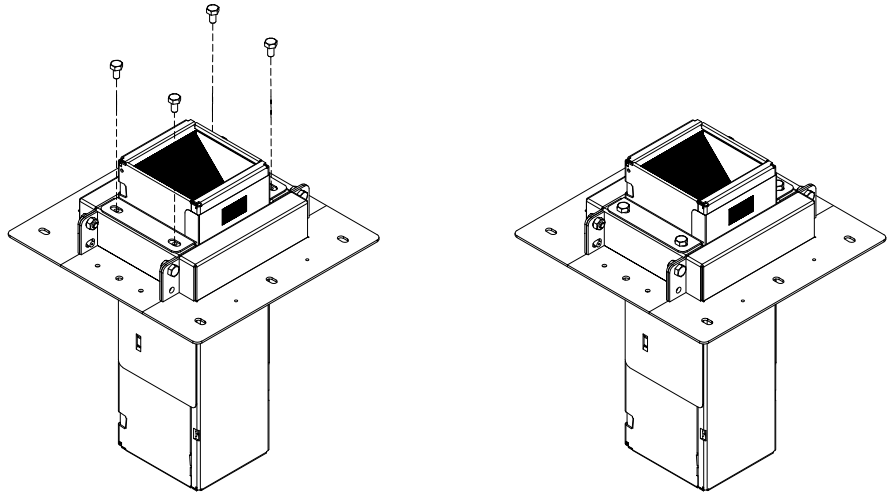


4



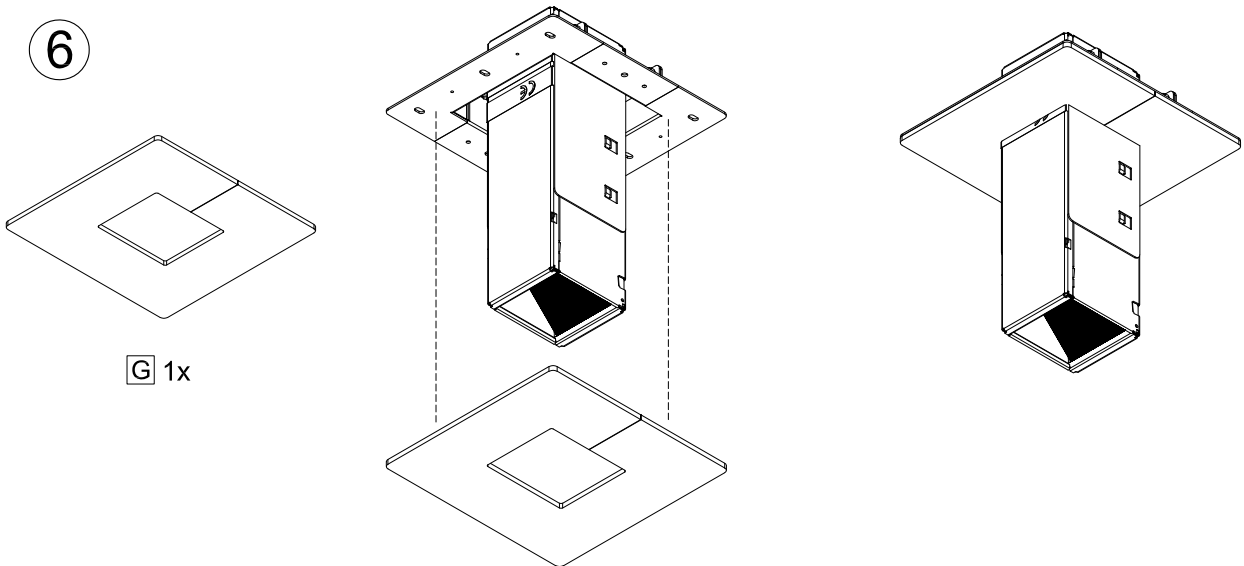
5

 **D** 4x

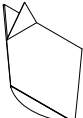



6

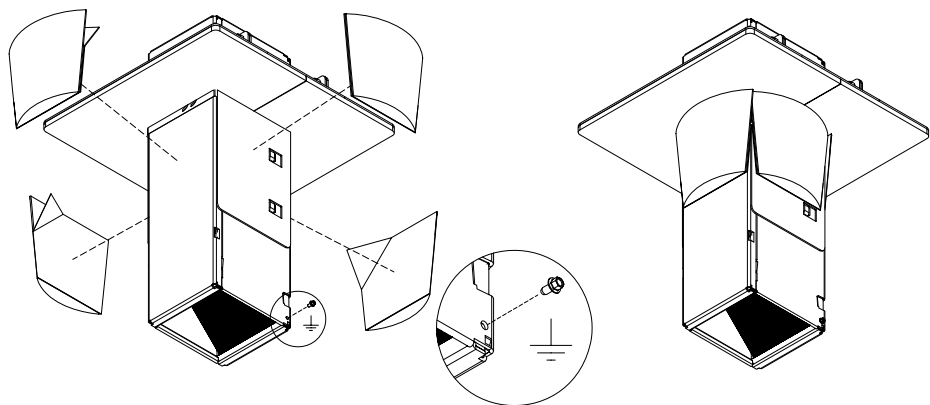
**G** 1x



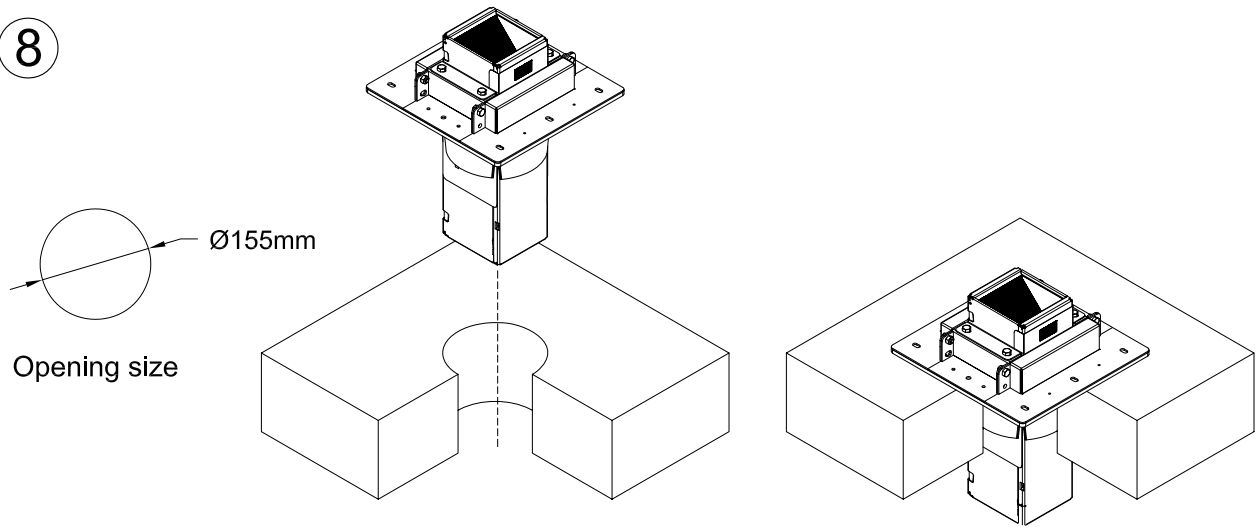
7

 **H** 4x

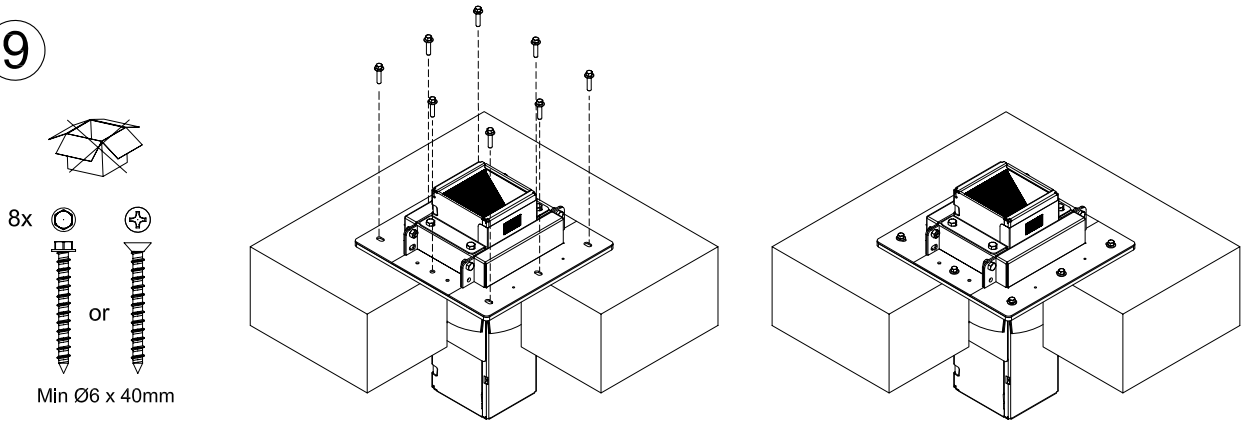
 **K** 1x



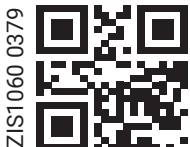
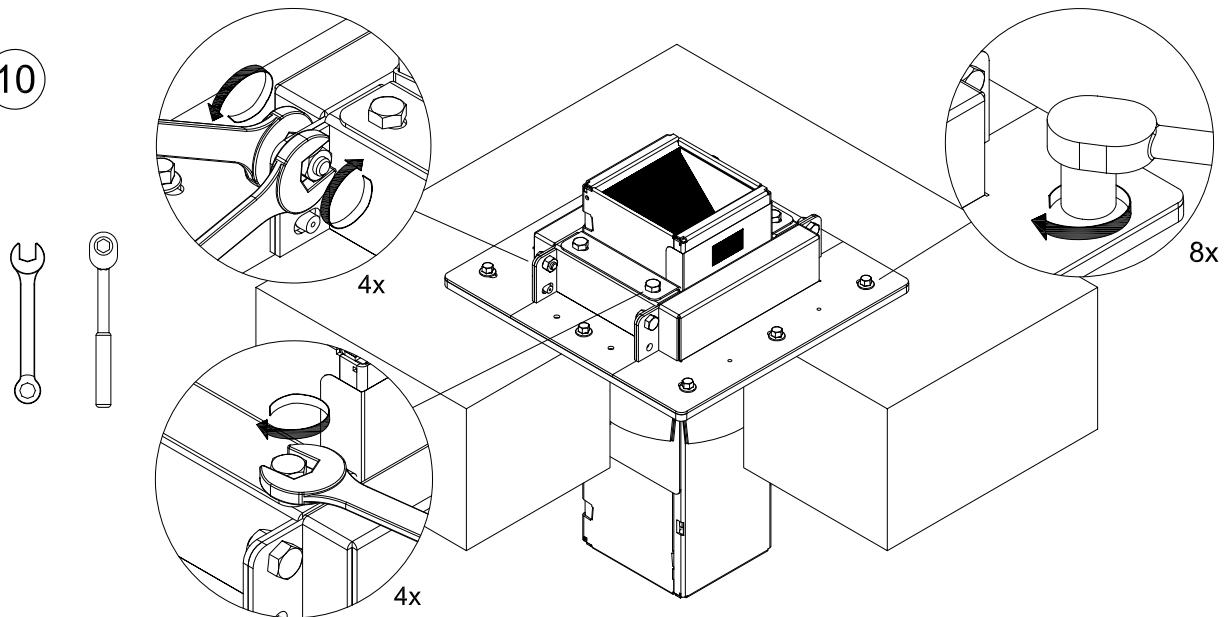
8

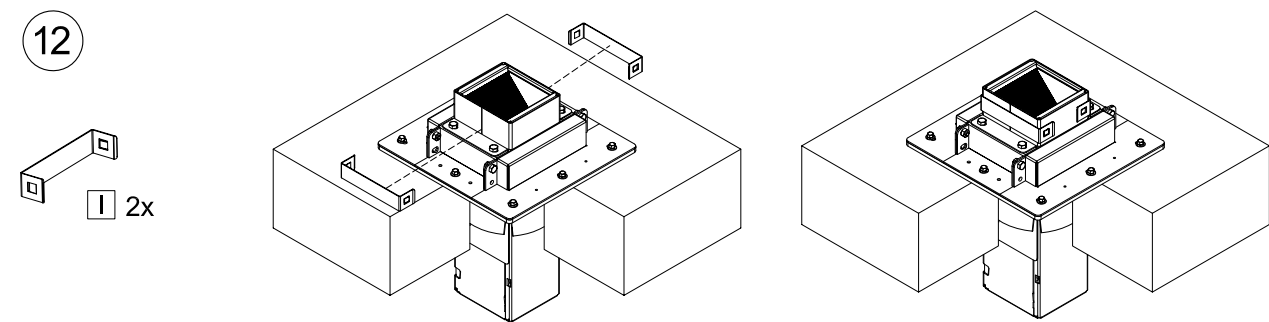
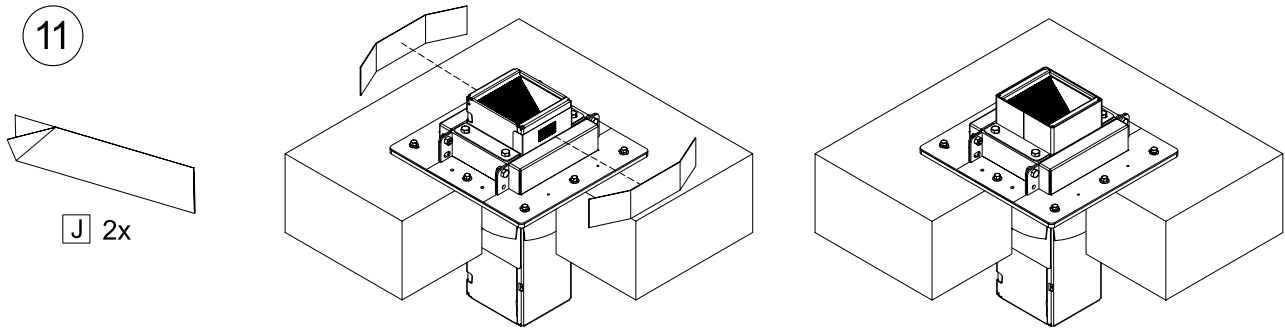


9

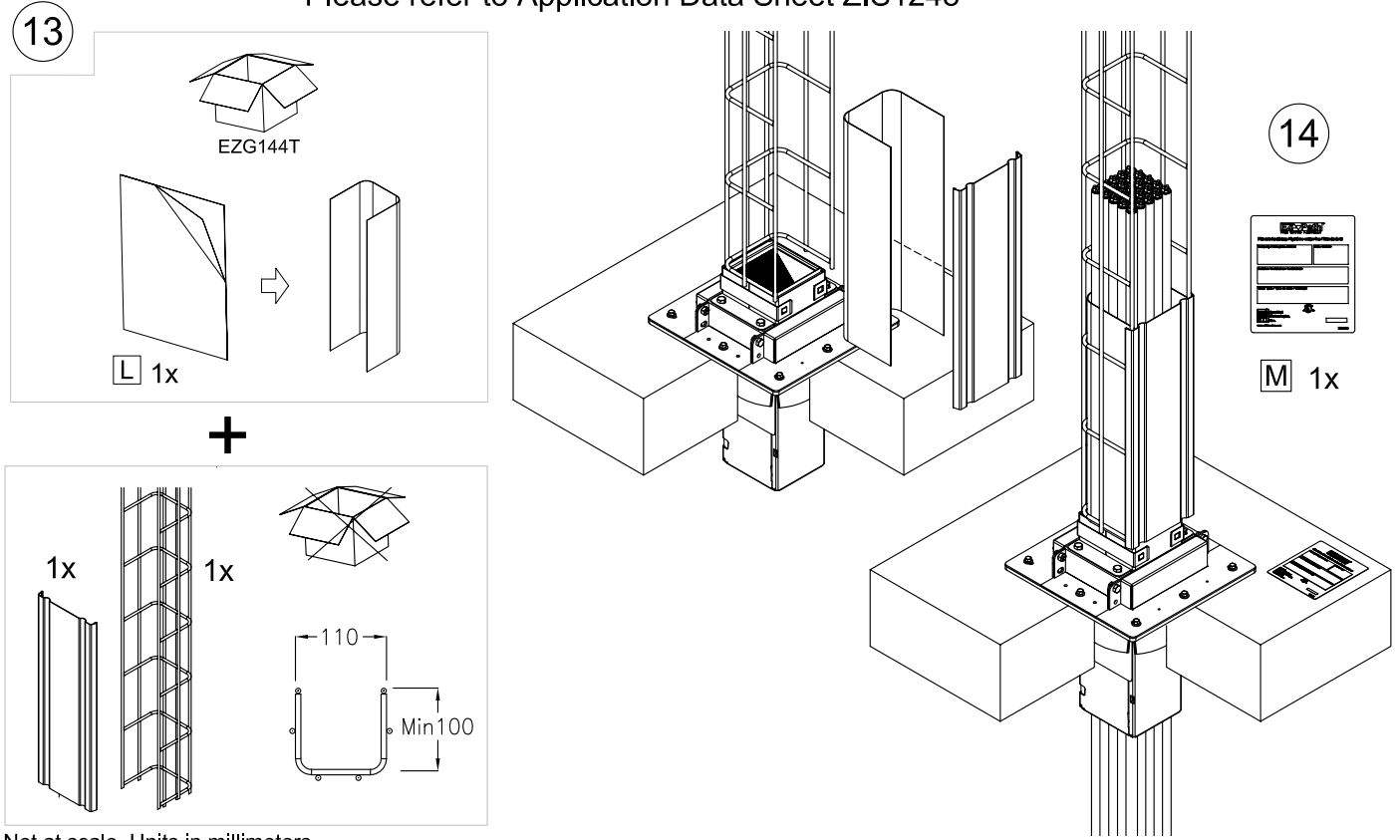


10





Please refer to Application Data Sheet ZIS1248



Not at scale. Units in millimeters

