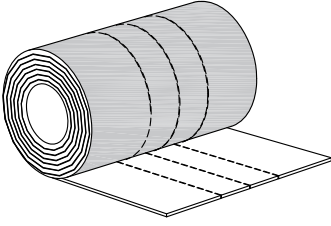
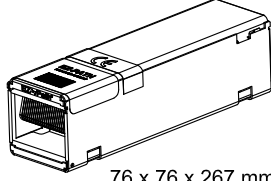
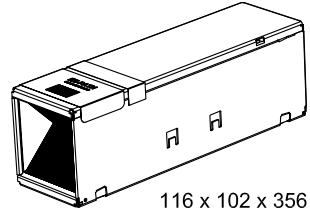
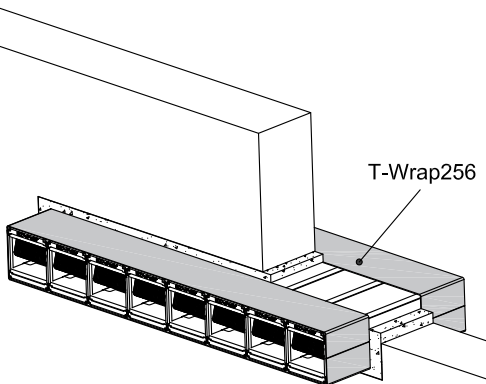
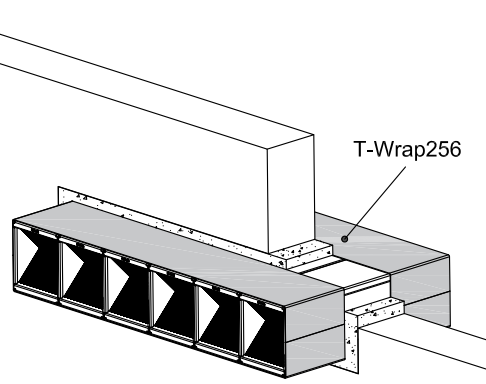
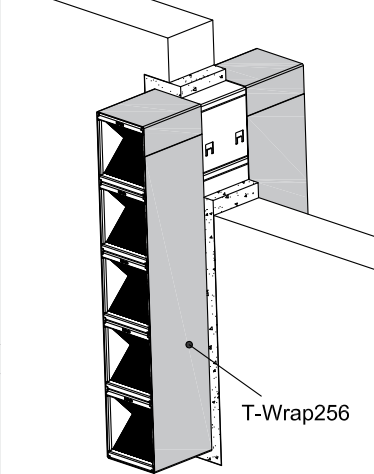


EZ-Path® is the only fire-rated cable management system with no firestop handling

<p>Insulation gasket T-WRAP256</p>  <p>Roll dimensions : 3m long x 256mm wide Refer to T-WRAP256 Application Sheets and Installation Sheets</p>	+	<p>EZ-Path® Series 33 EZD33T</p>  <p>76 x 76 x 267 mm</p> <p>Refer to EZD33T Technical Data Sheet Device to be ordered separately</p>	OR	<p>EZ-Path® Series 44+ EZD44T</p>  <p>116 x 102 x 356 mm</p> <p>Refer to EZD44T Technical Data Sheet Device to be ordered separately</p>
---	---	---	----	--

<p>T-Wrap256 + up to 8 x EZD33T Fire resistance : EI 90</p> 	<p>T-Wrap256 + up to 6 x EZD44T Fire resistance : EI 120</p> 	<p>T-Wrap256 + up to 5 x EZD44T Fire resistance : EI 120</p> 
--	---	--

Fire rated by design / Self-sealing system

No firestop handling required for cable changes
Fire safety compliant all the time

Performance





Fire resistance : EN1366-3
Classification : EN13501-2 up to EI120 / E240
European Technical Assessment ETA 13/0887
Halogen free in accordance to IEC 61249-2-21



Applications

For all types of cables ≤ Ø21mm OD
Rigid walls ≥ 100mm
To be used in combination with EZD33T or EZD44T

Ordering information

	EZD33T	 1.2	 1
	EZD44T	2.7	1
	T-WRAP256	1.1	1

