

EZ-Path® is the only fire-rated cable management system with no firestop handling

EZP733WT

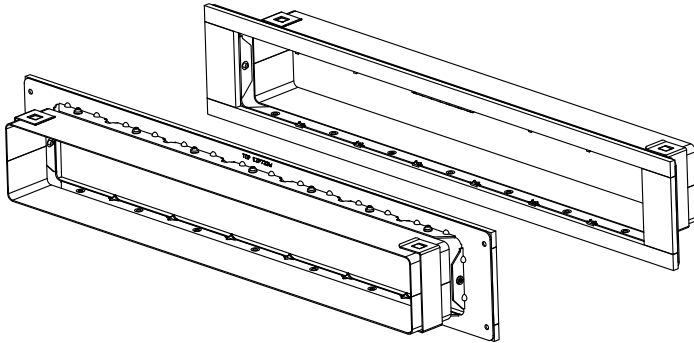
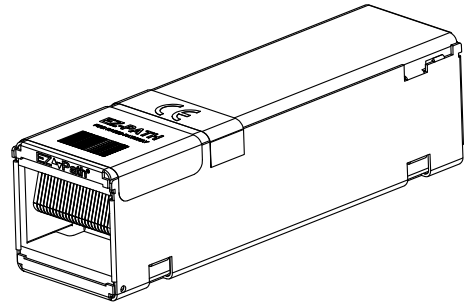


Plate dimensions : 610 x 109 mm

Please refer to EZP733WT Application Sheet and Installation Sheet

EZD33T

7x

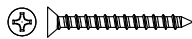


Device dimensions : 76 x 76 x 267 mm

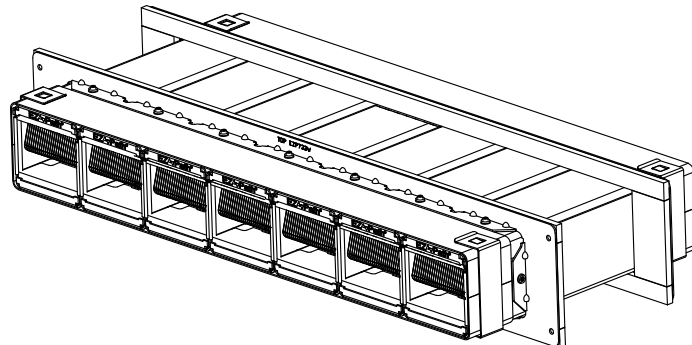
Please refer to EZD33T Technical Data Sheet

To be ordered separately

EZP733WT + EZD33T



8x (Not included)



Fire rated by design / Self-sealing system

No firestop handling required for cable changes

Fire safety compliant all the time

Performance

Fire resistance : EN1366-3

Classification : EN13501-2 up to EI120

European Technical Assessment ETA 13/0887

Halogen free in accordance to IEC 61249-2-21

Applications

For all types of cables up to Ø50mm OD

Flexible and rigid walls

To be used in combination with EZD33T

Ordering information



EZP733WT



1.5



1

