

EZ-Path® is the only fire-rated cable management system with no firestop handling

EZP433WT

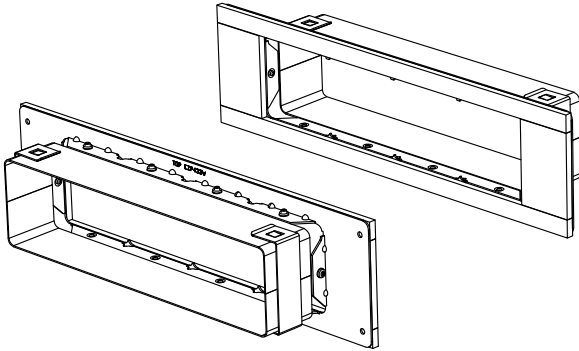
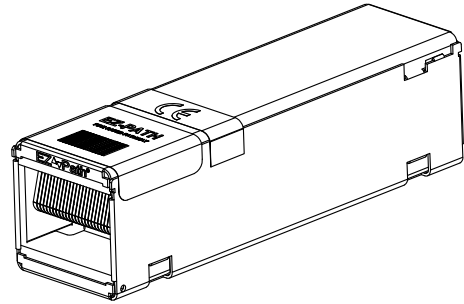


Plate dimensions : 407 x 109 mm

Please refer to EZP433WT Application Sheet and Installation Sheet

EZD33T

4x

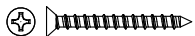
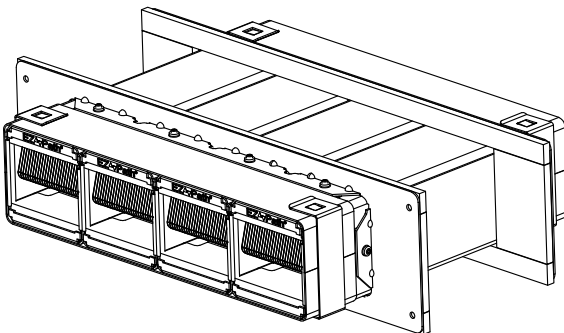


Device dimensions : 76 x 76 x 267 mm

Please refer to EZD33T Technical Data Sheet

To be ordered separately

EZP433WT + EZD33T



8x (Not included)

Opening dimensions : 305 x 81 mm

Fire rated by design / Self-sealing system

No firestop handling required for cable changes

Fire safety compliant all the time

Applications

For all types of cables up to Ø50mm OD

Flexible and rigid walls

To be used in combination with EZD33T

Performance

Fire resistance : EN1366-3

Classification : EN13501-2 up to EI120

European Technical Assessment ETA 13/0887

Halogen free in accordance to IEC 61249-2-21

Ordering information



EZP433WT



0.9



1

