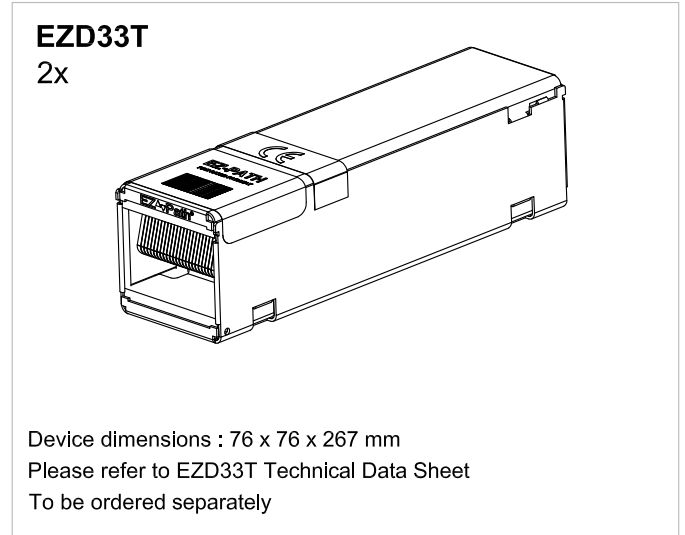
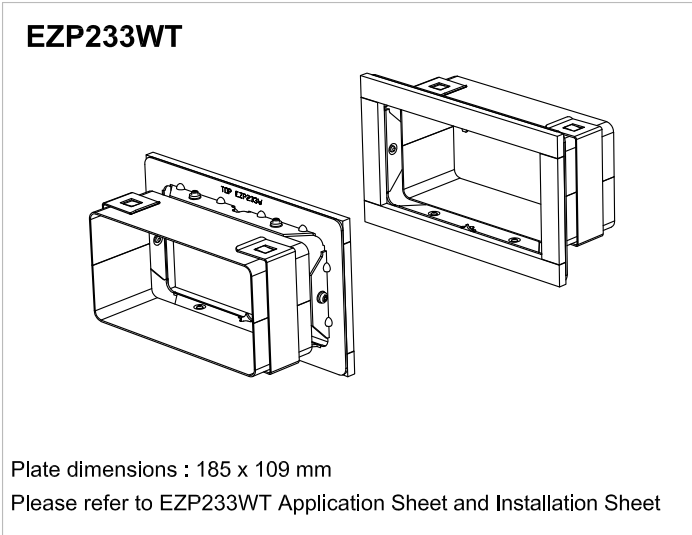


EZ-Path® is the only fire-rated cable management system with no firestop handling



Fire rated by design / Self-sealing system

No firestop handling required for cable changes
Fire safety compliant all the time

Applications

For all types of cables up to Ø50mm OD
Flexible and rigid walls
To be used in combination with EZD33T

Performance

Fire resistance : EN1366-3
Classification : EN13501-2 up to EI120
European Technical Assessment ETA 13/0887
Halogen free in accordance to IEC 61249-2-21

Ordering information



EZP233WT

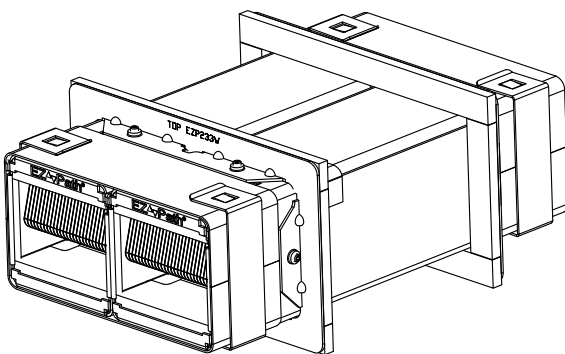


0.5



1

EZP233WT + EZD33T



Opening dimensions : 155 x 81 mm



ZSF05359 2848