

**EZ-Path® is the only fire-rated cable management system with no firestop handling**

### EZP544WE

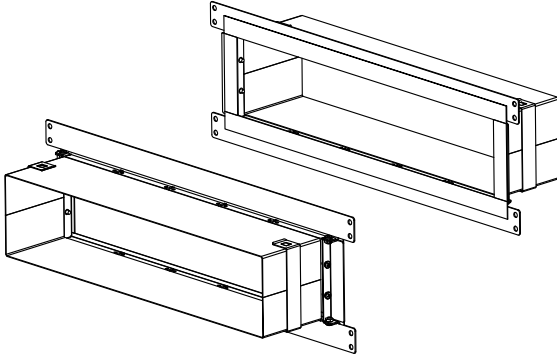
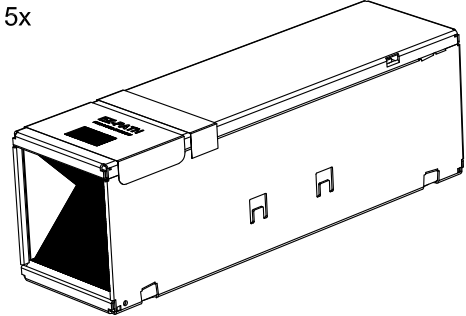


Plate dimensions : 610 x 196 mm

Please refer to EZP544WE Application Sheet and Installation Sheet

### EZD44T

1 up to 5x

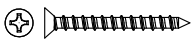
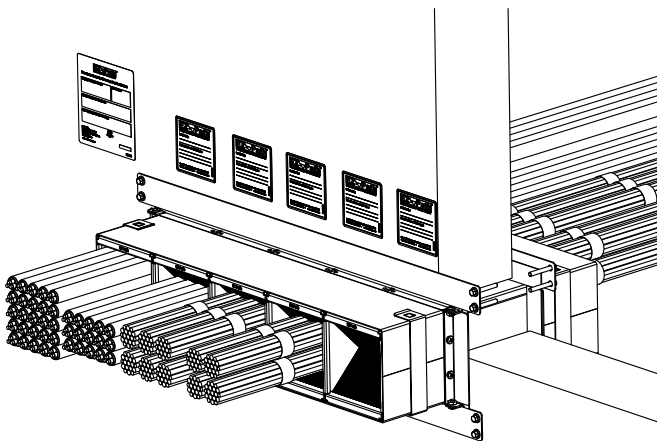


Device dimensions : 116 x 102 x 356 mm

Please refer to EZD44T Technical Data Sheet

To be ordered separately

### EZP544WE + EZD44T



16x (Not included)

### Fire rated by design / Self-sealing system

No firestop handling required for cable changes

Fire safety compliant all the time

### Applications

For all types of cables up to Ø21mm OD

Flexible and rigid walls

To be used in combination with EZD44T

### Performance

Fire resistance : EN1366-3

Classification : EN13501-2 / E120

European Technical Assessment ETA 13/0887

Halogen free in accordance to IEC 61249-2-21

### Ordering information



EZP544WE



2.4



1

### Opening dimensions

515 x 118 mm

412 x 118 mm

309 x 118 mm

206 x 118 mm

105 x 118 mm

