

EZ-Path® is the only fire-rated cable management system with no firestop handling

EZP144RSE

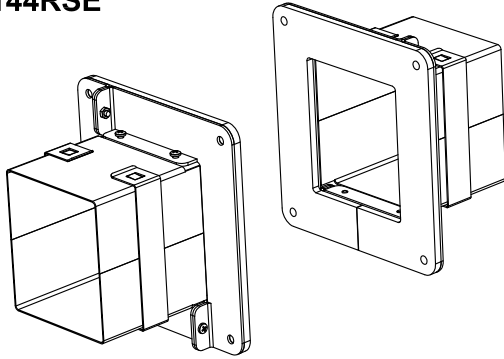
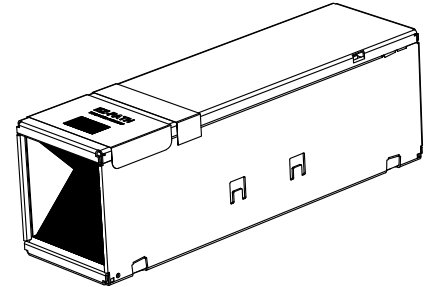


Plate dimensions : 191 x 178 mm

Please refer to EZP144RSE Application Sheet and Installation Sheet

EZD44T



Device dimensions : 116 x 102 x 356 mm

Please refer to EZD44T Technical Data Sheet

To be ordered separately

EZP144RSE + EZD44T

Retrofit system for existing cables



Fire rated by design / Self-sealing system

No firestop handling required for cable changes

Fire safety compliant all the time

Applications

For all types of cables up to Ø21mm OD

Flexible and rigid walls

To be used in combination with EZD44T

Performance

Fire resistance : EN1366-3

Classification : EN13501-2 up to EI120

European Technical Assessment ETA 13/0887

Halogen free in accordance to IEC 61249-2-21

Ordering information



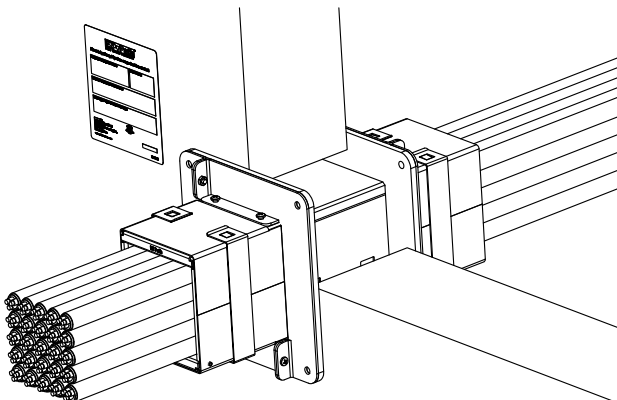
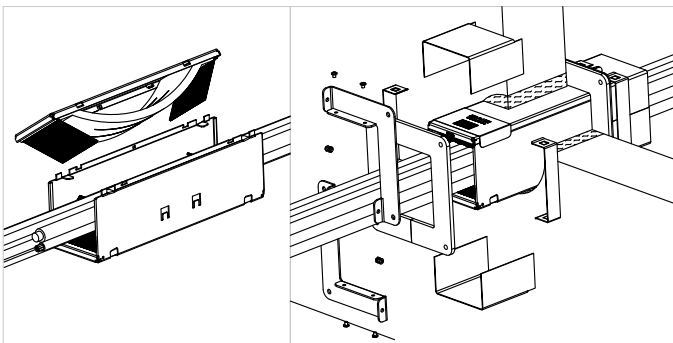
EZP144RSE



1.6



1



Opening dimensions :
Ø152 - Ø155 mm or 118 x 105mm

