

**EZ-Path® is the only fire-rated cable management system with no firestop handling**

### EZP144WE

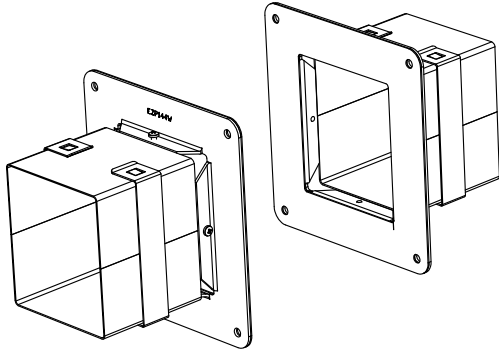
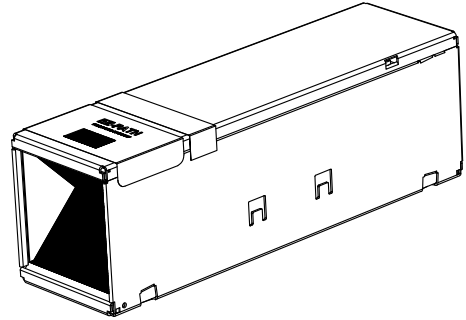


Plate dimensions : 191 x 178 mm

Please refer to EZP144WE Application Sheet and Installation Sheet

### EZD44T

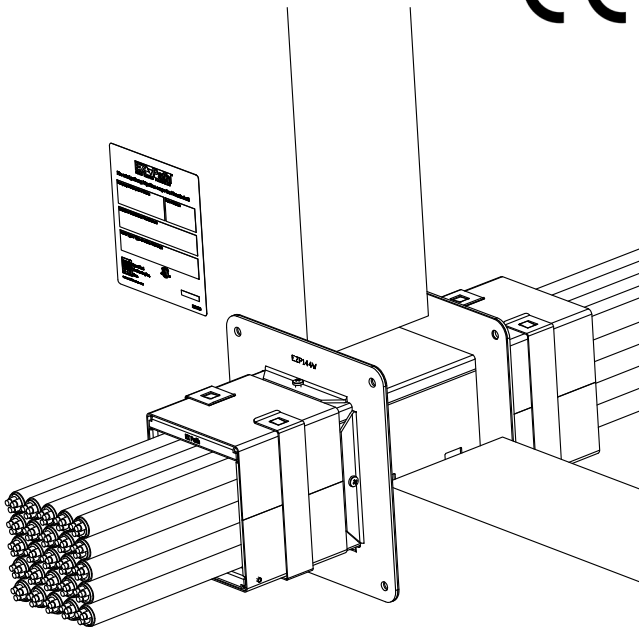


Device dimensions : 116 x 102 x 356 mm

Please refer to EZD44T Technical Data Sheet

To be ordered separately

### EZP144WE + EZD44T



Opening dimensions :  
Ø152 - Ø155 mm or 118 x 105mm

### Fire rated by design / Self-sealing system

No firestop handling required for cable changes

Fire safety compliant all the time

### Applications

For all types of cables up to Ø21mm OD

Flexible and rigid walls

To be used in combination with EZD44T

### Performance

Fire resistance : EN1366-3

Classification : EN13501-2 up to EI120

European Technical Assessment ETA 13/0887

Halogen free in accordance to IEC 61249-2-21

### Ordering information



EZP144WE



1.4



1

