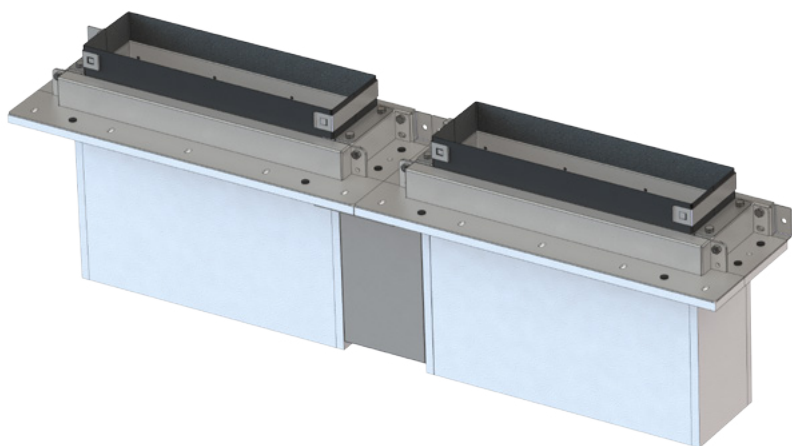


EZG844T

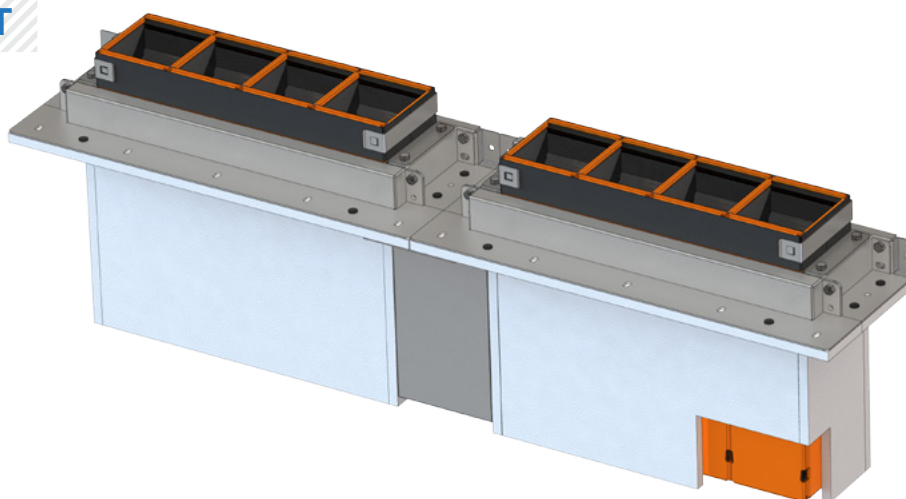


8 X EZD44T



EZD44T to be ordered separately.

EZG844T + EZD44T



Ordering Information



EZG844T



16.4



1

Performance

European Technical Approval ETA – 13/0887

Firestop Handling

No handling required for fire safety compliance.

Applications

- For all types of cables (max \varnothing 80mm)
- Rigid floors

Dimensions

Plate Dimensions: 1140 X 212 X 47 mm

Opening Dimensions: 1010 X 155 mm



