

EZ-Path® is the only fire-rated cable management system with no firestop handling

EZG444T

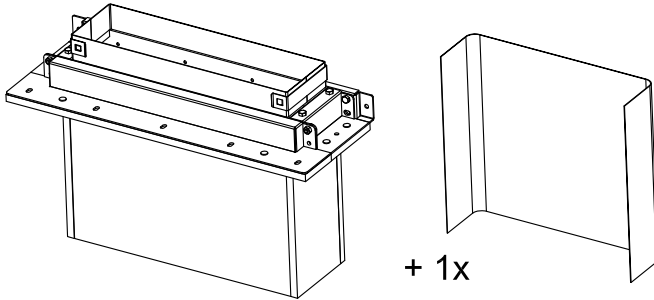
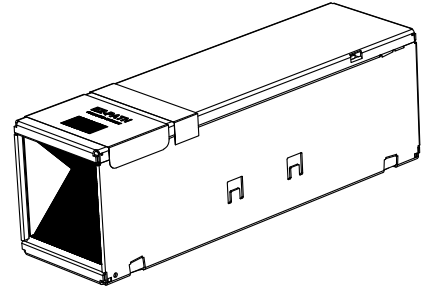


Plate dimensions : 568 x 210 mm

Please refer to EZG444T Application Sheet and Installation Sheet

EZD44T

x4



Device dimensions : 116 x 102 x 356 mm

Please refer to EZD44T Technical Data Sheet

To be ordered separately

EZG444T + EZD44T



Fire rated by design / Self-sealing system

No firestop handling required for cable changes

Fire safety compliant all the time

Applications

For all types of cables up to Ø80mm OD

Rigid floors

To be used in combination with EZD44T

Performance

Fire resistance : EN1366-3

Classification : EN13501-2 / EI120

European Technical Assessment ETA 13/0887

Halogen free in accordance to IEC 61249-2-21

Ordering information



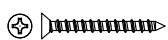
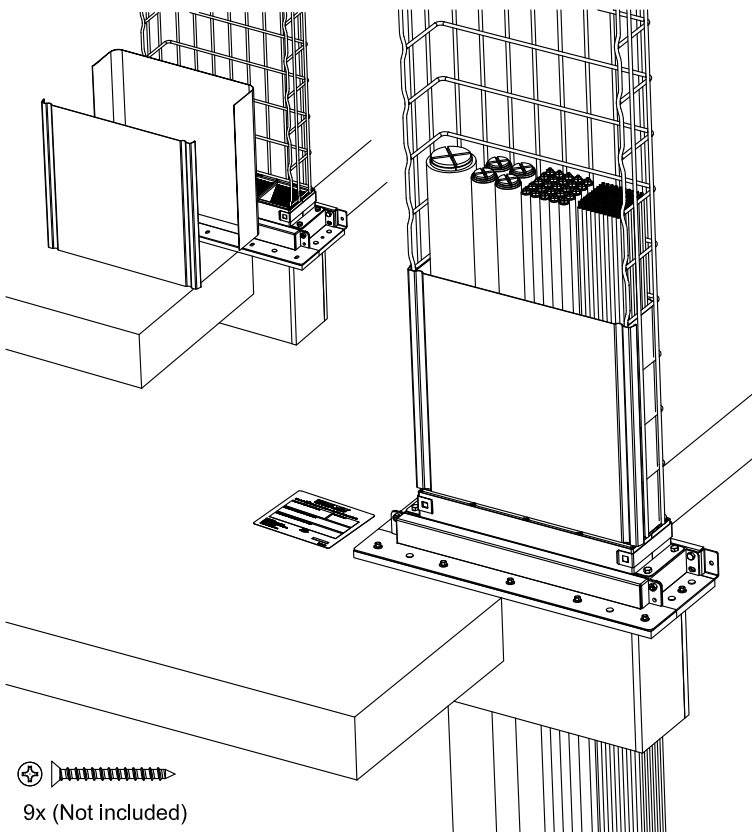
EZG444T



9.1



1



9x (Not included)

Opening dimension : 445 x 155 mm

