

EZ-Path® is the only fire-rated cable management system with no firestop handling

EZG144T

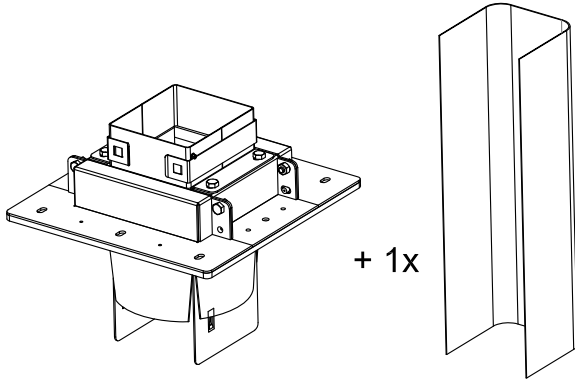
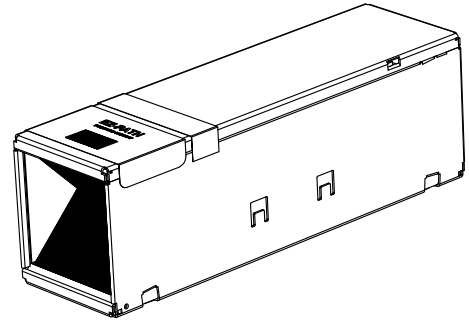


Plate dimensions : 264 x 274 mm

Please refer to EZG144T Application Sheet and Installation Sheet

EZD44T

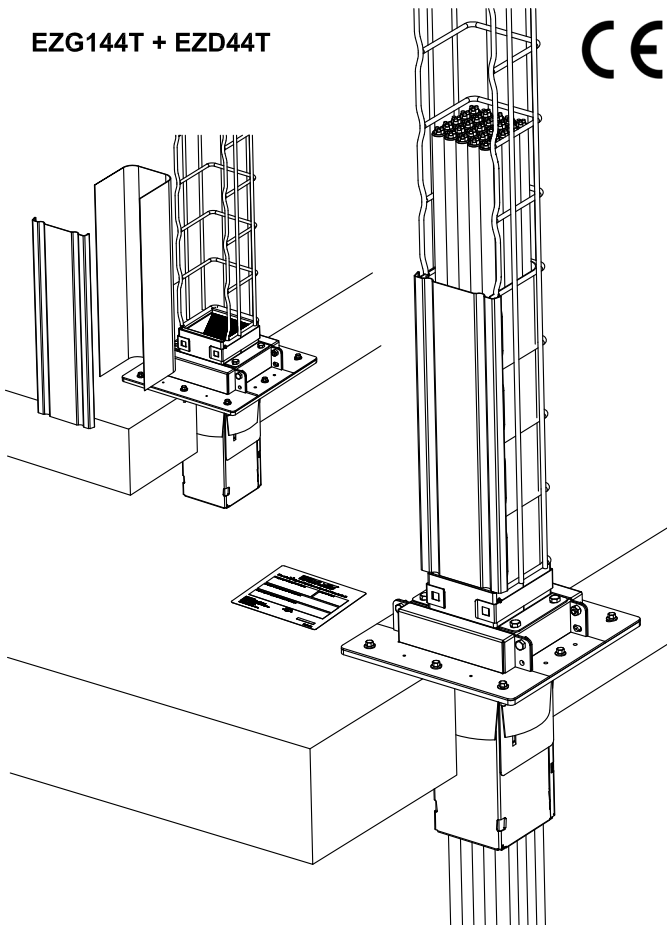


Device dimensions : 116 x 102 x 356 mm

Please refer to EZD44T Technical Data Sheet

To be ordered separately

EZG144T + EZD44T



Opening dimension : Ø152 mm

Fire rated by design / Self-sealing system

No firestop handling required for cable changes

Fire safety compliant all the time

Applications

For all types of cables up to Ø80mm OD

Rigid floors

To be used in combination with EZD44T

Performance

Fire resistance : EN1366-3

Classification : EN13501-2 / EI120

European Technical Assessment ETA 13/0887

Halogen free in accordance to IEC 61249-2-21

Ordering information



EZG144T



3.2



1

