

EZ-Path® is the only fire-rated cable management system with no firestop handling

EZP544WT

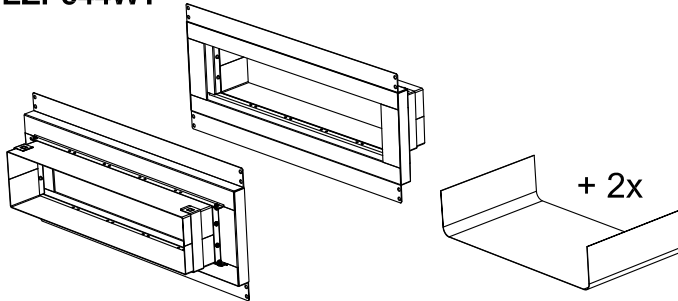
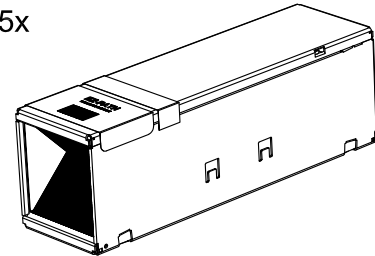


Plate dimensions : 612 x 272 mm

Please refer to EZP544WT Application Sheet and Installation Sheet

EZD44T

1 up to 5x



Device dimensions : 116 x 102 x 356 mm

Please refer to EZD44T Technical Data Sheet

To be ordered separately

EZP544WT + EZD44T



Fire rated by design / Self-sealing system

No firestop handling required for cable changes

Fire safety compliant all the time

Applications

For all types of cables up to Ø80mm OD

Flexible and rigid walls

To be used in combination with EZD44T

Performance

Fire resistance : EN1366-3

Classification : EN13501-2 / EI120

European Technical Assessment ETA 13/0887

Halogen free in accordance to IEC 61249-2-21

Ordering information



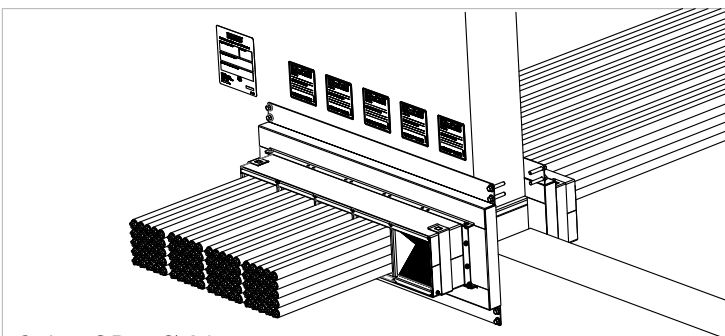
EZP544WT



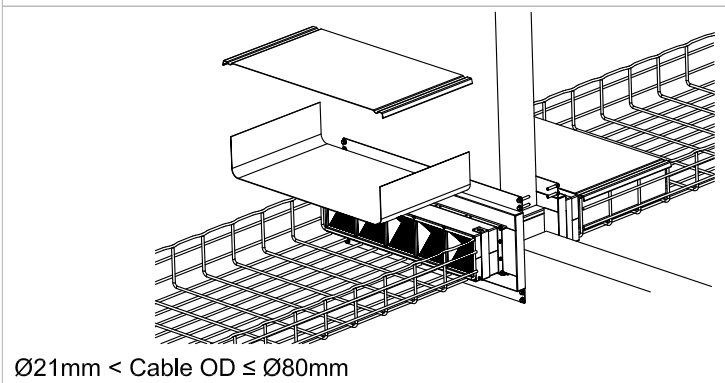
5.8



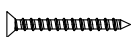
1



Cable OD ≤ Ø 21 mm

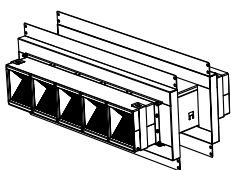


Ø21mm < Cable OD ≤ Ø80mm

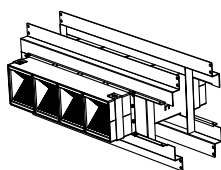
⊕  16x (Not included)

Opening dimensions

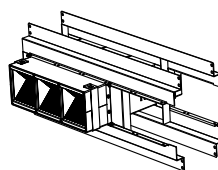
515 x 120 mm



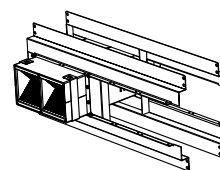
412 x 120 mm



309 x 120 mm



206 x 120 mm



110 x 120 mm

