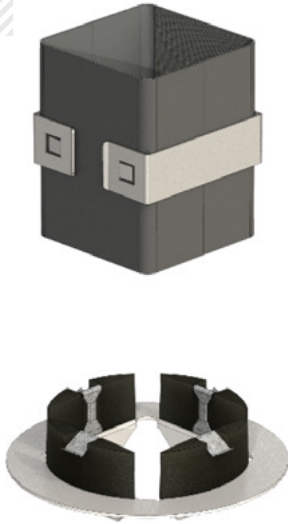


EZP133KT

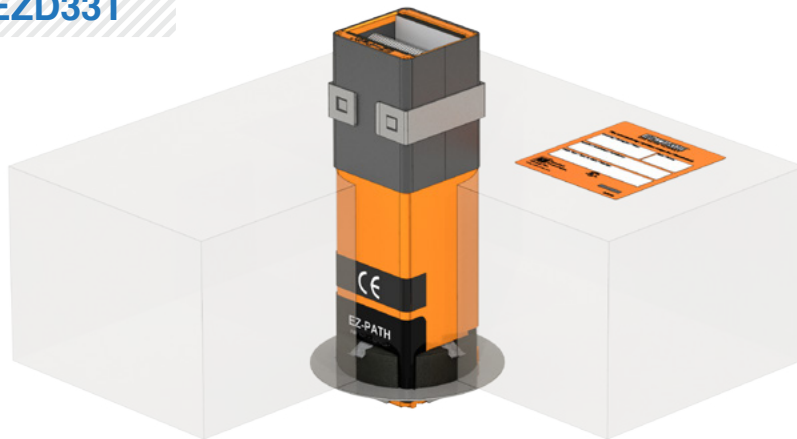


1 X EZD33T



EZD33T to be ordered separately.

EZP133KT + EZD33T



Ordering Information



EZP133KT



0.3



1

Applications

- For all types of cables (max $\varnothing 21\text{mm}$)
- Rigid floors

Performance

European Technical Approval ETA –13/0887

Firestop Handling

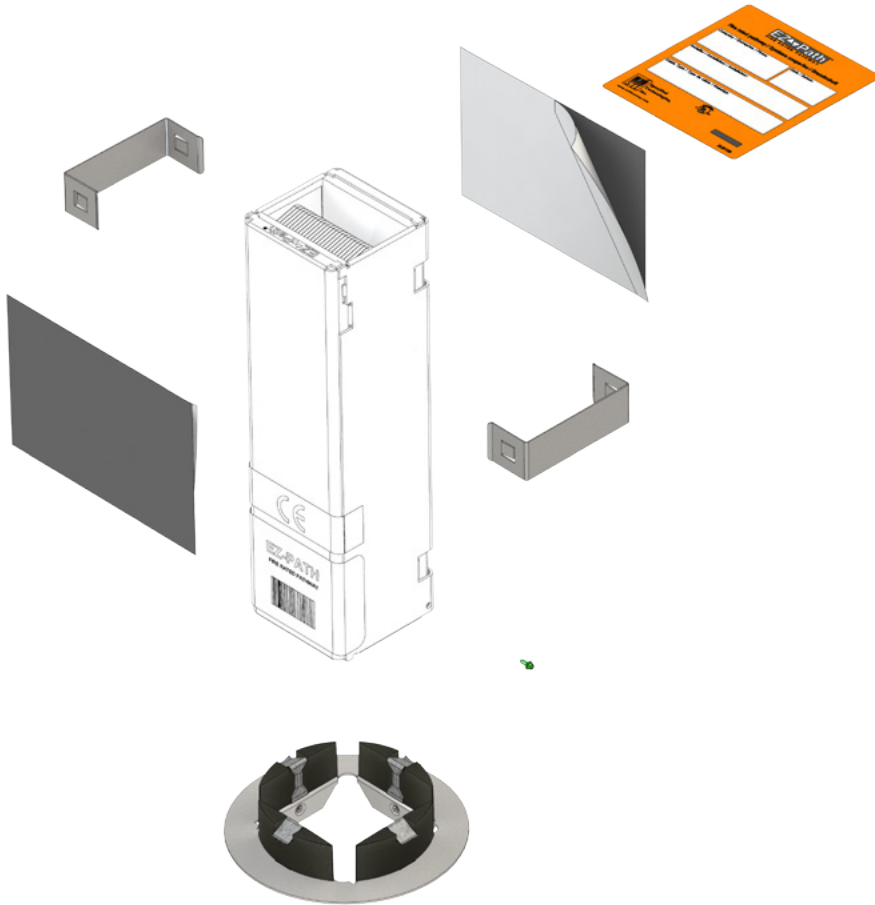
No handling required for fire safety compliance.

Dimensions

Plate Dimensions: $\varnothing 140$

Opening Dimensions: $\varnothing 102\text{ mm}$





A	1X	
B	2X	
C	2X	
D	1X	
E	1X	

