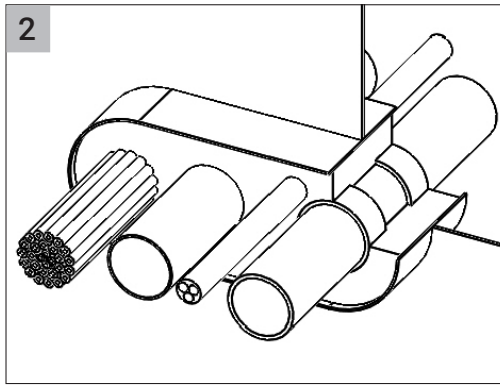
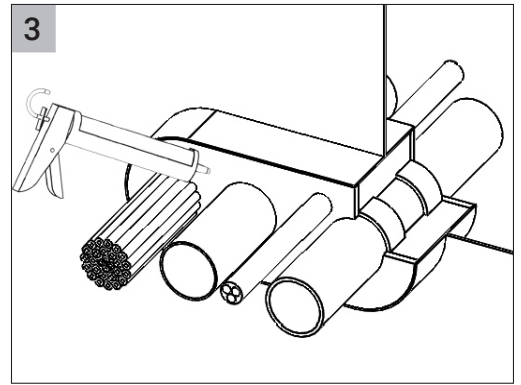


1
Wrap plastic pipes (if present) with a single layer of MWS Marine Wrap Strip on both sides of sleeve, recessed 12.7 mm from sleeve ends.



2
Install MPACT® Filler Blanket within sleeve to fill all voids around penetrants, recessed 12.7 mm from sleeve ends to accommodate sealant.



3
Apply MFS Sealant over MPACT® Filler Blanket and MWS Marine Wrap Strip (if present) on both sides of sleeve to a min 12.7 mm thickness, flush with sleeve ends.

Tips:

- All surfaces to be clean, sound, dry, frost-free and free of bond-breaking contaminants and loose materials.
- Min 6 mm spacing required for watertight and gastight pressures to be achieved.
- Wrap strip (if present) may be secured around pipe using tape.
- To enhance adhesion and accelerate the curing process, the filler blanket may be sprayed with water prior to sealant application. Penetrants and inner surface of sleeve to be dried prior to sealant application.
- Smooth sealant surface using a trowel, tooling knife, wet low lint rag, or by hand with soapy water (and latex gloves, if preferred).

Note: Refer to Type Approval Certificates for approved penetrant types/sizes, sleeve dimensions, insulation requirements, etc.

