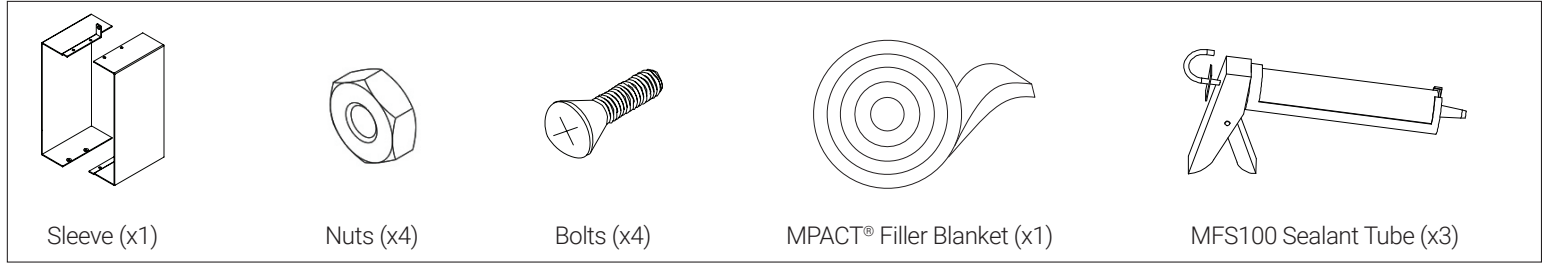
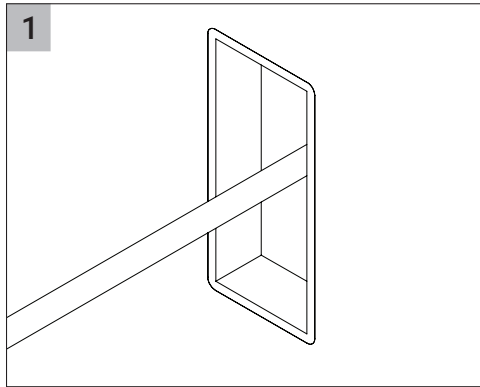


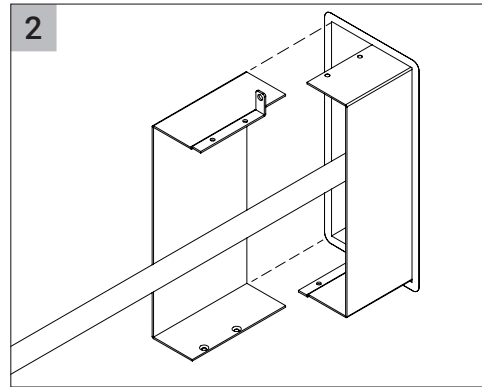
Parts Included



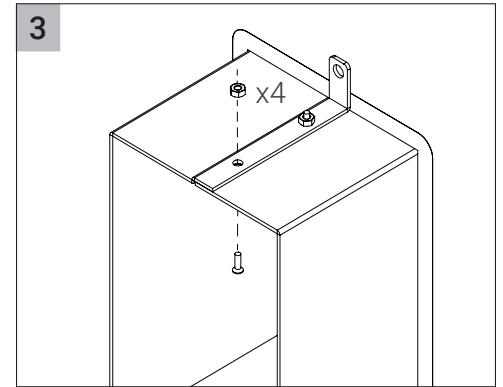
Installation Instructions



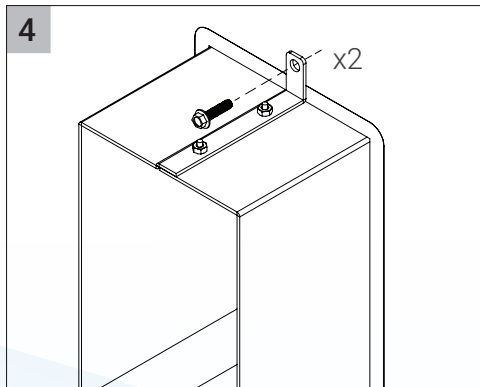
1 Remove all items from transit frame.



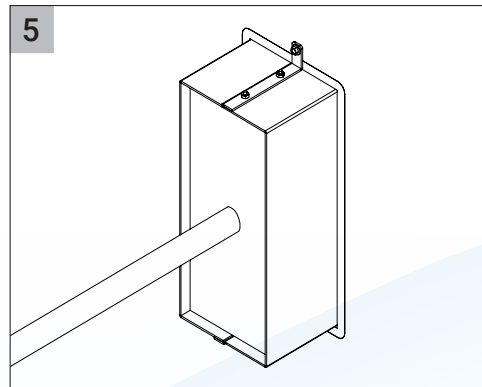
2 Insert retrofit sleeve halves into transit frame.



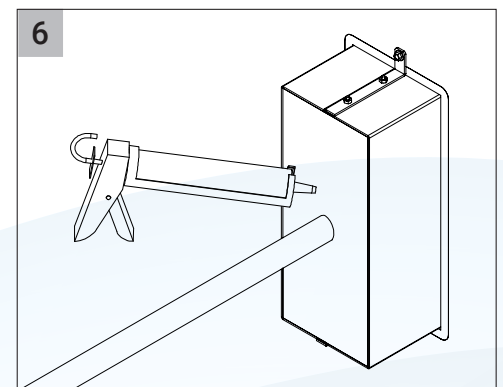
3 Fasten sleeve halves together using provided screws and nuts.



4 Attach assembled sleeve to steel division using two screws (not provided) or tack welds.



5 Install and center MPACT® Filler Blanket. Recess 12.7 mm from both ends.



6 Install 12.7 mm thickness of MFS Marine Firestop Sealant, flush with both ends.

Tips:

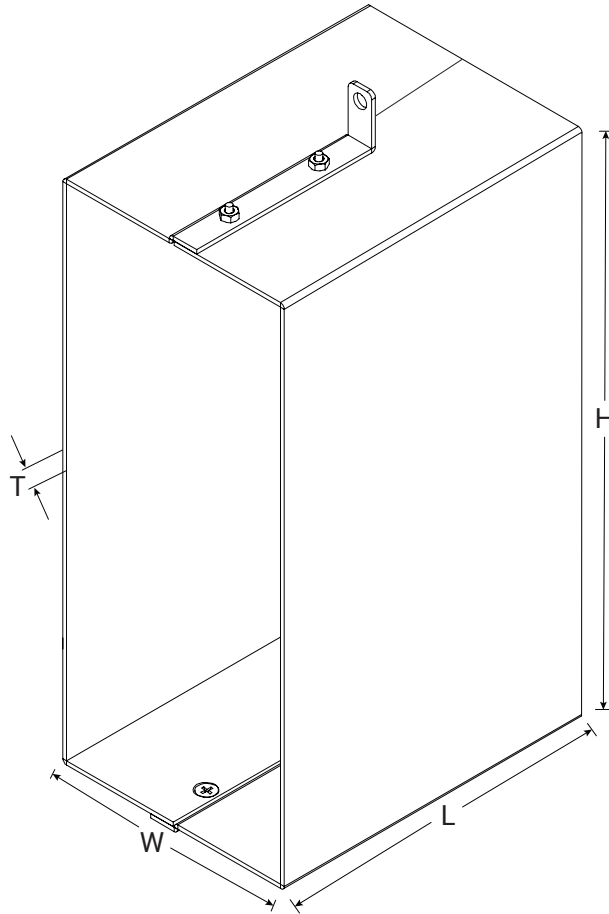
- All surfaces to be clean, sound, dry, frost-free and free of bond-breaking contaminants and loose materials.
- Min 6 mm spacing required for watertight and gastight pressures to be achieved.
- To enhance adhesion and accelerate the curing process, the filler blanket may be sprayed with water prior to sealant application. Penetrants and inner surface of sleeve to be dried prior to sealant application.
- Smooth sealant surface using a trowel, tooling knife, wet low lint rag, or by hand with soapy water (and latex gloves, if preferred).
- For water and gastightness, apply a bead of MFS Marine Firestop Sealant over seams between the frame/sleeve and between sleeve halves.

Note: Refer to Type Approval Certificates for approved penetrant types/sizes, sleeve dimensions, insulation requirements, etc.



MMR - MPACT® Retrofit Sleeve

Sleeve Dimensions



SLEEVE DIMENSIONS

Catalog Number	Width (W)		Height (H)		Length (L)		Wall Thickness (T)	
	mm	in	mm	in	mm	in	mm	in
MMR600	119	4.7	217	8.5	187	7.4	2	0.08
MMR800	119	4.7	275	10.8	187	7.4	2	0.08

Note: Refer to Type Approval Certificates for approved penetrant types/sizes, sleeve dimensions, insulation requirements, etc.

